



Serial Number Label

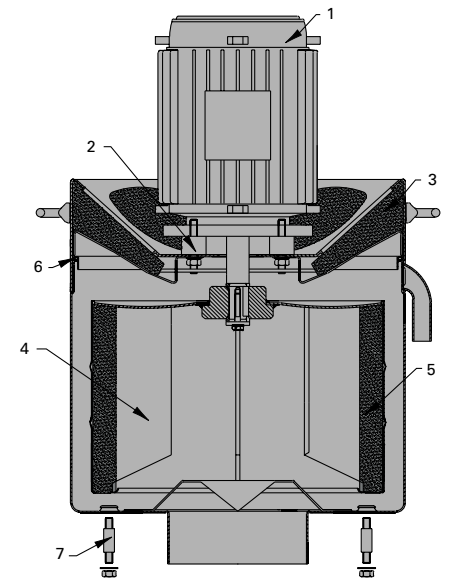
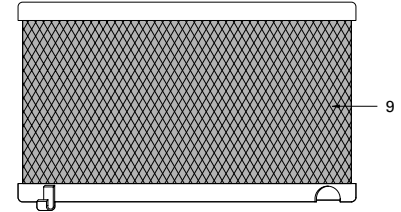
Royal Products offers a full array of replacement parts for all Filtermist models. When ordering replacement parts, it is very important that you identify the correct series and model. The series is determined by the color of the serial number label, located on the upper portion of the housing near the motor. The color code is as follows:

- Series 6 — Black label, silver text.
- Series 7 — Yellow label, black text.
- Series 8 — White label, black text.
- FX Series — Blue label, white text.

On this unit, the white label with the black text indicates a series 8 model.

FX Series Only

Item No.	Description	Filtermist Model	Blue Label (FX Series)
1	Motor	FX-275	30450
		FX-550	30450
		FX-600	30452
		FX-900	30454
		FX-1200	30454
2	Motor Mount Set Includes four mounts and required hardware.	FX-275	30440
		FX-550	30440
		FX-600	30442
		FX-900	30442
		FX-1200	30442
3	Silencer	FX-275	30420
		FX-550	30420
		FX-600	30422
		FX-900	30422
		FX-1200	30422
4	Drum	FX-275	30460
		FX-550	30466
		FX-600	30462
		FX-900	30462
		FX-1200	30464
5	Drum Pads (set of 4)	FX-275	30410
		FX-550	30416
		FX-600	30412
		FX-900	30412
		FX-1200	30414
6	Housing Seal	FX-275	30430
		FX-550	30430
		FX-600	30432
		FX-900	30432
		FX-1200	30432
7	Direct Mounting Kit Includes collar seal, mounts, and required hardware.	FX-275	N/A
		FX-550	N/A
		FX-600	30300
		FX-900	30302
		FX-1200	30304
8	Complete Maintenance Kit Includes items 2, 3, 5 and 6.	FX-275	30400
		FX-550	30406
		FX-600	30402
		FX-900	30402
		FX-1200	30404
9	Complete After Filter Fits over the Filtermist motor. Includes 1-pc. housing/filter element, and toggle clips.	FX-275	30200
		FX-550	30200
		FX-600	30205
		FX-900	30205
		FX-1200	30205



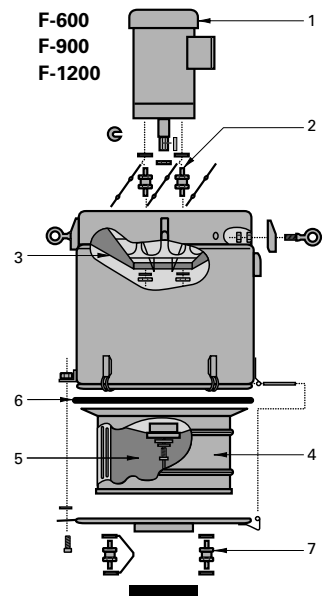
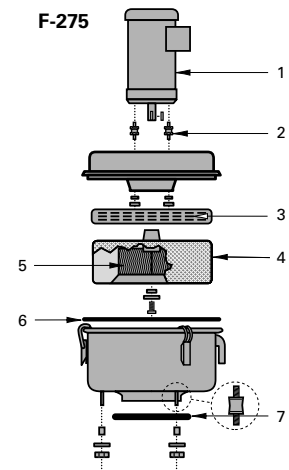
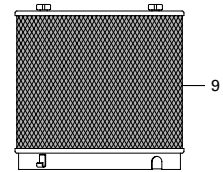
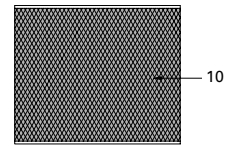
Note — The parts on this page are for Filtermist FX Series models with a blue serial number label. If you have an older model Filtermist unit with a white, yellow, or black serial number label, please see page 28.

REPLACEMENT PARTS — OLDER MODELS



Series 6, 7, and 8 (Pre-2004)

Item No.	Description	Filtermist Model	White Label (Series 8)	Yellow Label (Series 7)	Black Label (Series 6)
1	Motor	F-275 F-600 F-900 F-1200	R33-1439-926 R35L234-672 R35L234-863 R35L234-863	R33-1439-926 R35L234-672 R35L234-863 N/A	R33-1439-926 R35L234-672 R35L234-863 N/A
2	Motor Mount Set Includes four mounts and required hardware.	F-275 F-600 F-900 F-1200	28195 28198 28198 28198	28195 28198 28198 N/A	28195 28198 28198 N/A
3	Silencer	F-275 F-600 F-900 F-1200	28182 28181N 28181N 28181N	28182 28181N 28181N N/A	28182 28181 28181 N/A
4	Drum	F-275 F-600 F-900 F-1200	28013 28167 28167 28166	28013 28167 28166 N/A	28013 28167 28166 N/A
5	Drum Pads (set of 4)	F-275 F-600 F-900 F-1200	28214 28209 28209 28207	28214 28212 28210 N/A	28214 28212 28210 N/A
6	Housing Seal	F-275 F-600 F-900 F-1200	28176 28178N 28178N 28178N	28176 28178N 28178N N/A	28179 28178 28178 N/A
7	Direct Mounting Kit Includes collar seal, mounts, and required hardware.	F-275 F-600 F-900 F-1200	N/A 28205 28203 28201	28194 28203 28203 N/A	28194 28203 28203 N/A
8	Complete Maintenance Kit Includes items 2, 3, 5 and 6.	F-275 F-600 F-900 F-1200	28008 28015 28015 28017	28008 28007 28006 N/A	N/A N/A N/A N/A
9	Complete After Filter Fits over the Filtermist motor. Includes housing, filter element, and toggle clips.	F-275 F-600 F-900 F-1200	28158 28164 28164 28164	28158 28164 28164 N/A	28158 28164 28164 N/A
10	After Filter — Replacement Element Only	F-275 F-600 F-900 F-1200	28159 28165 28165 28165	28159 28165 28165 N/A	28159 28165 28165 N/A
11	Drum Puller	All Units	28014	28014	28014



Note — The parts on this page are for older series Filtermist units sold thru mid 2004.