

4

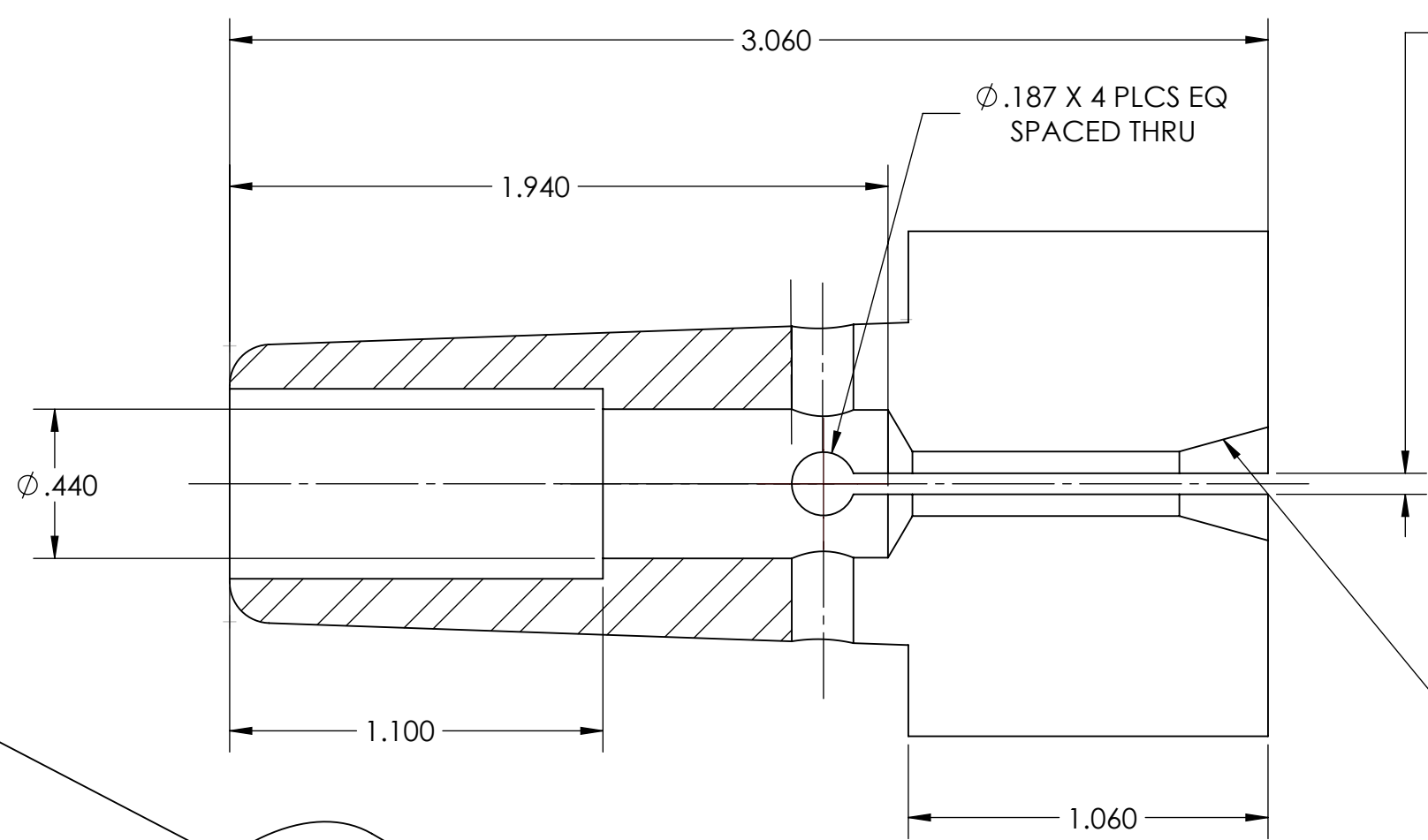
3

2

1

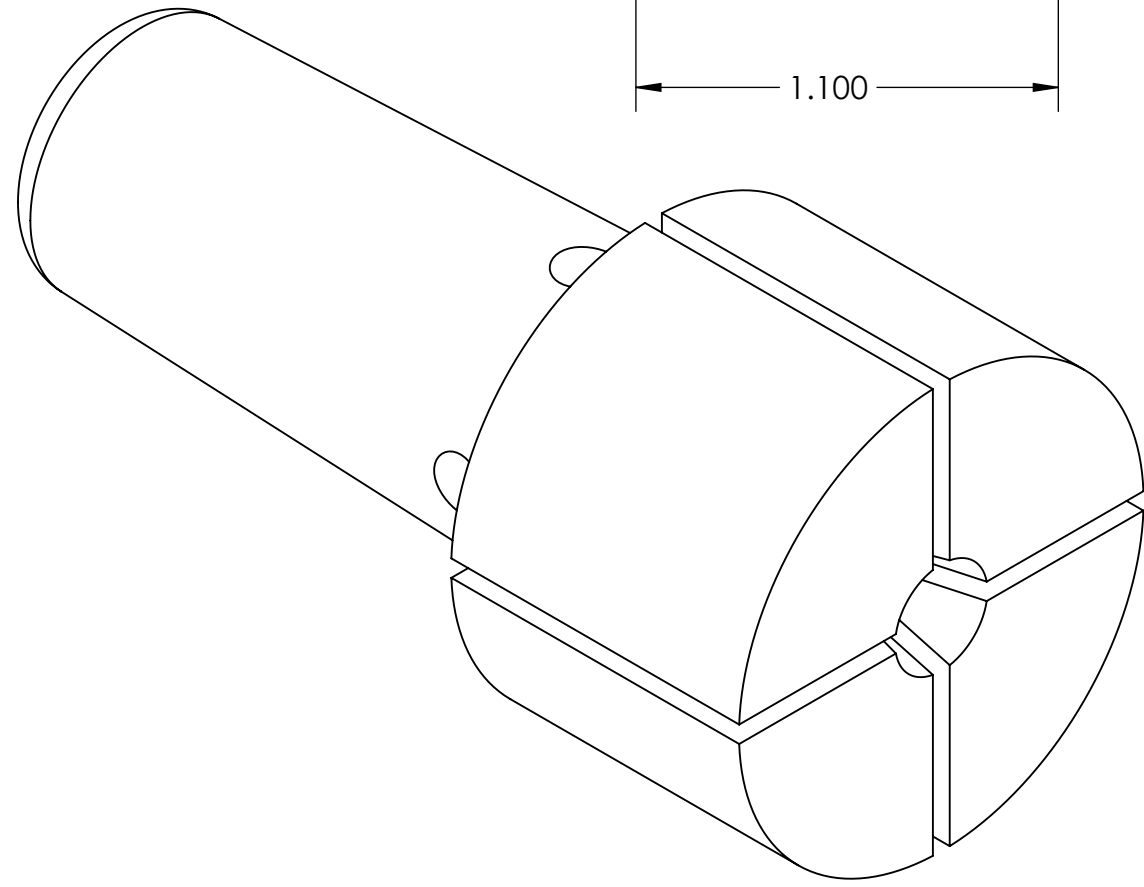
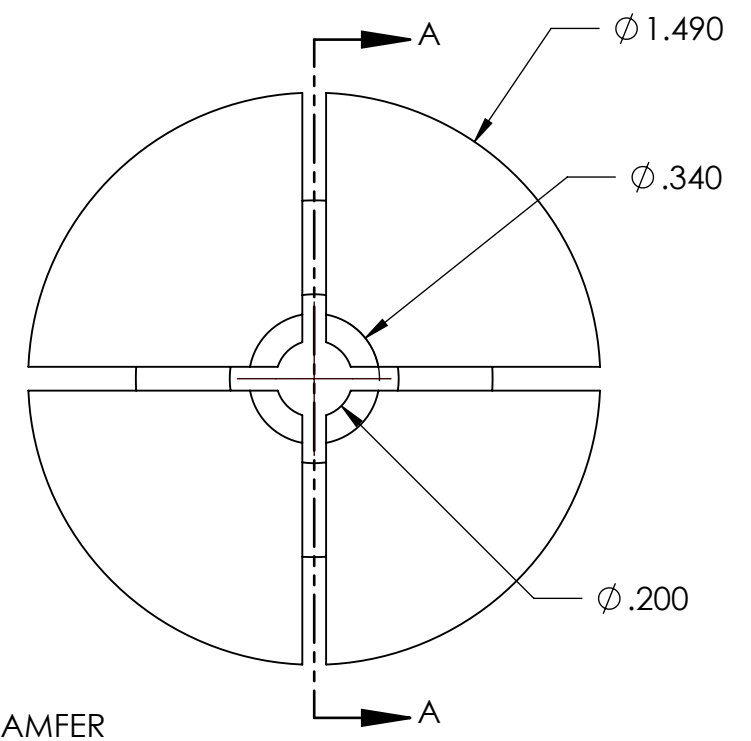
REVISION HISTORY

REV	DESCRIPTION	APPROVED	DATE
-			



4X.062
SLIT THRU

30° CHAMFER



SECTION A-A
SCALE 2:1

UNLESS OTHERWISE SPECIFIED:	NAME	DATE
DIMENSIONS ARE IN INCHES	DRAWN R. PEREZ	09/03/22
ANGULAR ±.5°	CHECKED	
TWO PLACE DECIMAL ±.01	ENG APPR.	
THREE PLACE DECIMAL ±.003	MFG APPR.	
FILLET RADII .015 MAX	Q.A.	
BREAK CORNERS .005/.010		
ALL Ø CONC WITHIN .005 T.I.R.		
SURFACE FINISH 125/√	THIRD ANGLE PROJECTION	
INTERPRET DRAWING PER: ASME Y14.5-2009		
DO NOT SCALE DRAWING		

PROPRIETARY AND CONFIDENTIAL
 THE INFORMATION CONTAINED IN THIS
 DRAWING IS THE SOLE PROPERTY OF
 ROVI PRODUCTS INC. ANY
 REPRODUCTION IN PART OR AS A
 WHOLE WITHOUT THE WRITTEN
 PERMISSION OF ROVI PRODUCTS INC
 IS PROHIBITED.

rovi PRODUCTS INCORPORATED
 ROVI PRODUCTS INC
 4648 RUNWAY ST #B
 SIMI VALLEY, CA 93063

TITLE:
 EXPANDING COLLET, KEY
 DIMENSIONS

SIZE	DWG. NO.	REV
B	1.5X1-2	---
SCALE: 2:1	WEIGHT: 0.687 LBS	SHEET 1 OF 1

4

3

2

1

B

B

A

A