

4

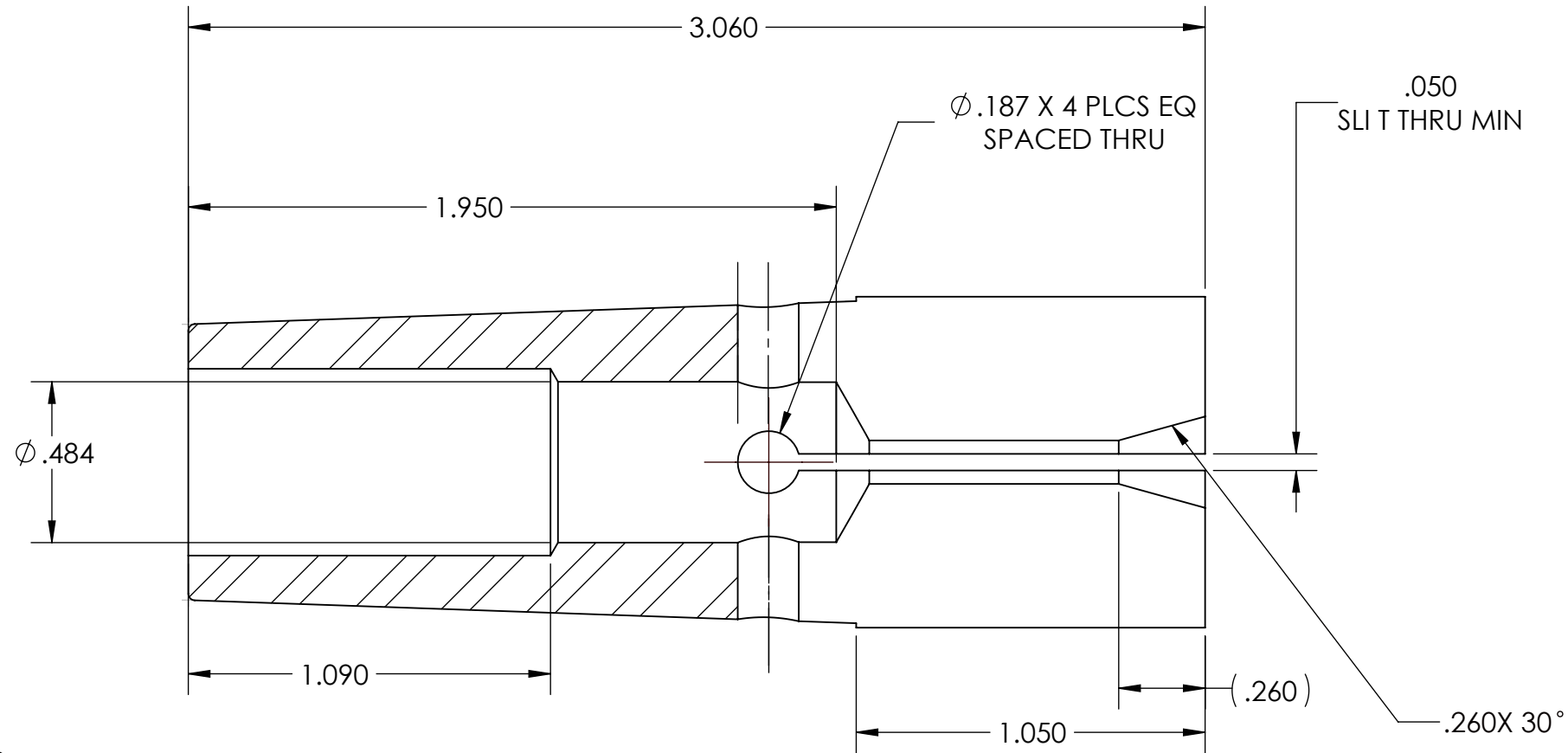
3

2

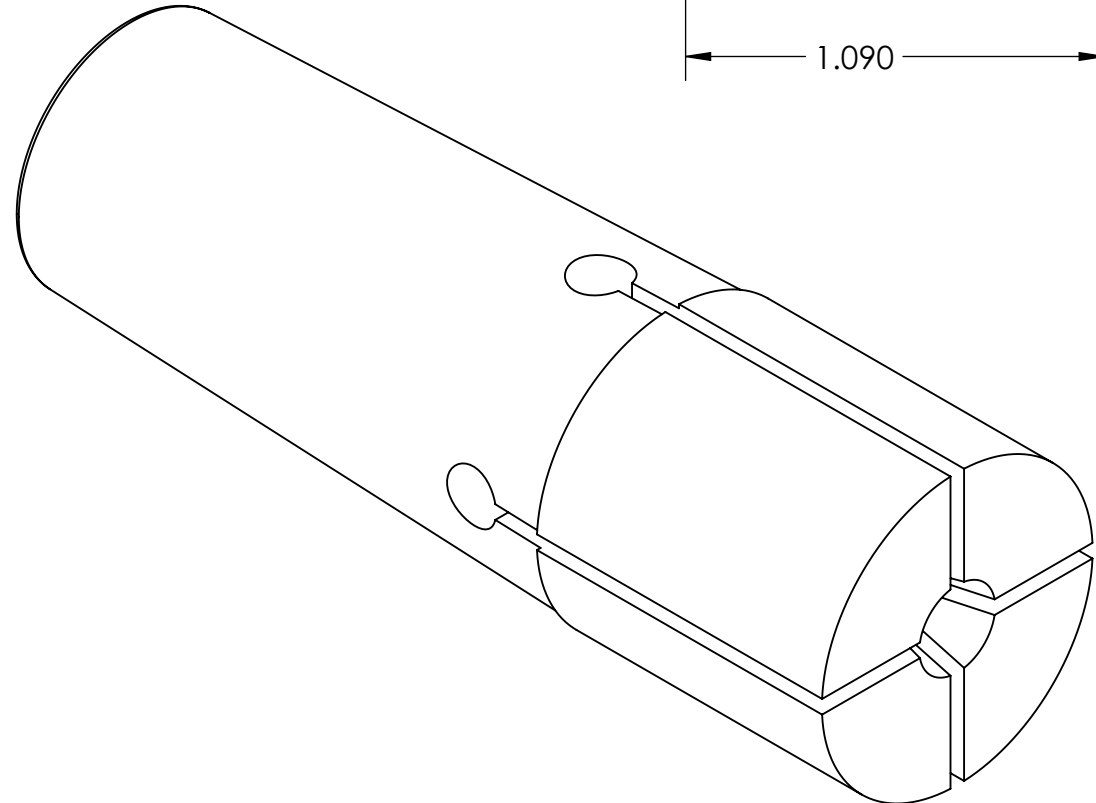
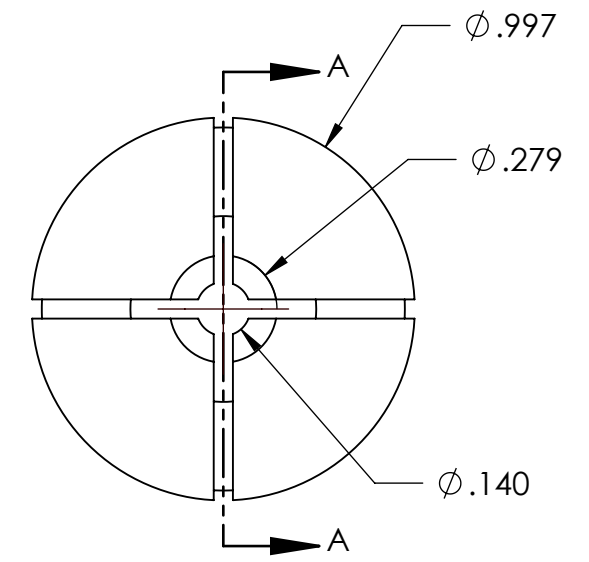
1

REVISION HISTORY

REV	DESCRIPTION	APPROVED	DATE
-			



SECTION A-A
SCALE 2 : 1



UNLESS OTHERWISE SPECIFIED:		NAME	DATE
DIMENSIONS ARE IN INCHES		DRAWN R. PEREZ	09/03/22
ANGULAR $\pm .5^\circ$	TWO PLACE DECIMAL $\pm .01$	CHECKED	
THREE PLACE DECIMAL $\pm .003$	FILLET RADII $.015 \text{ MAX}$	ENG APPR.	
BREAK CORNERS $.005/.010$	ALL ϕ CONC WITHIN $.005 \text{ T.I.R.}$	MFG APPR.	
		Q.A.	
SURFACE FINISH $125/\checkmark$		THIRD ANGLE PROJECTION	
INTERPRET DRAWING PER: ASME Y14.5-2009			
DO NOT SCALE DRAWING			

PROPRIETARY AND CONFIDENTIAL
 THE INFORMATION CONTAINED IN THIS DRAWING IS THE SOLE PROPERTY OF ROVI PRODUCTS INC. ANY REPRODUCTION IN PART OR AS A WHOLE WITHOUT THE WRITTEN PERMISSION OF ROVI PRODUCTS INC IS PROHIBITED.

rovi PRODUCTS INCORPORATED
 ROVI PRODUCTS INC
 4648 RUNWAY ST #B
 SIMI VALLEY, CA 93063

TITLE:
 EXPANDING COLLET, KEY DIMENSIONS

SIZE	DWG. NO.	REV
B	1X1-26	---
SCALE: 2:1	WEIGHT: 0.431 LBS	SHEET 1 OF 1

4

3

2

1

B

B

A

A