

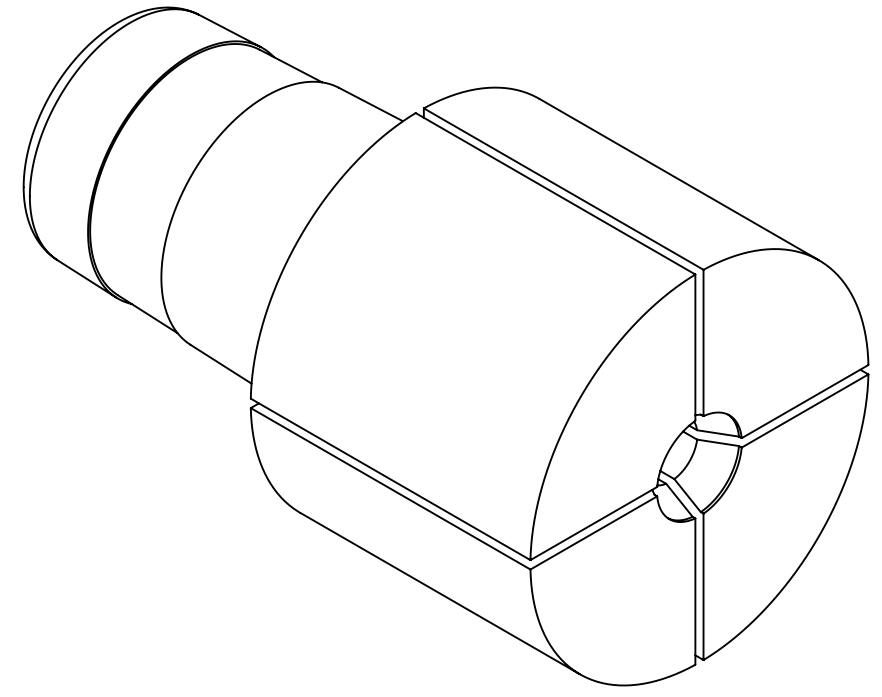
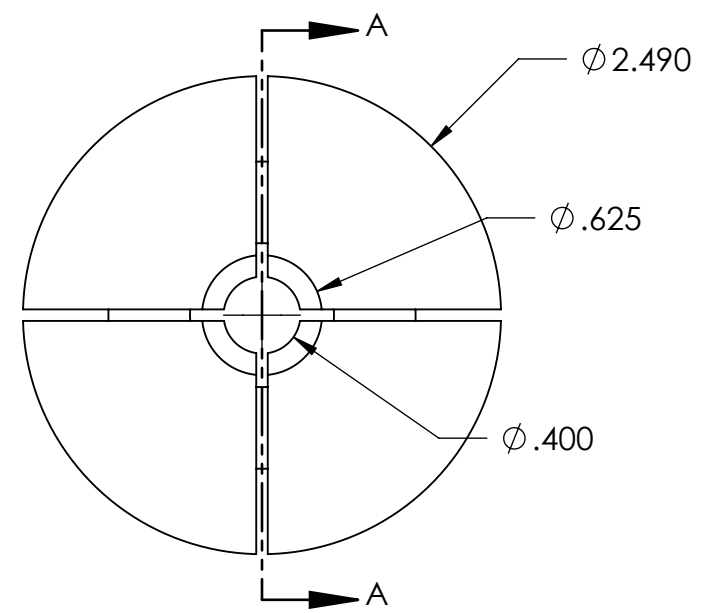
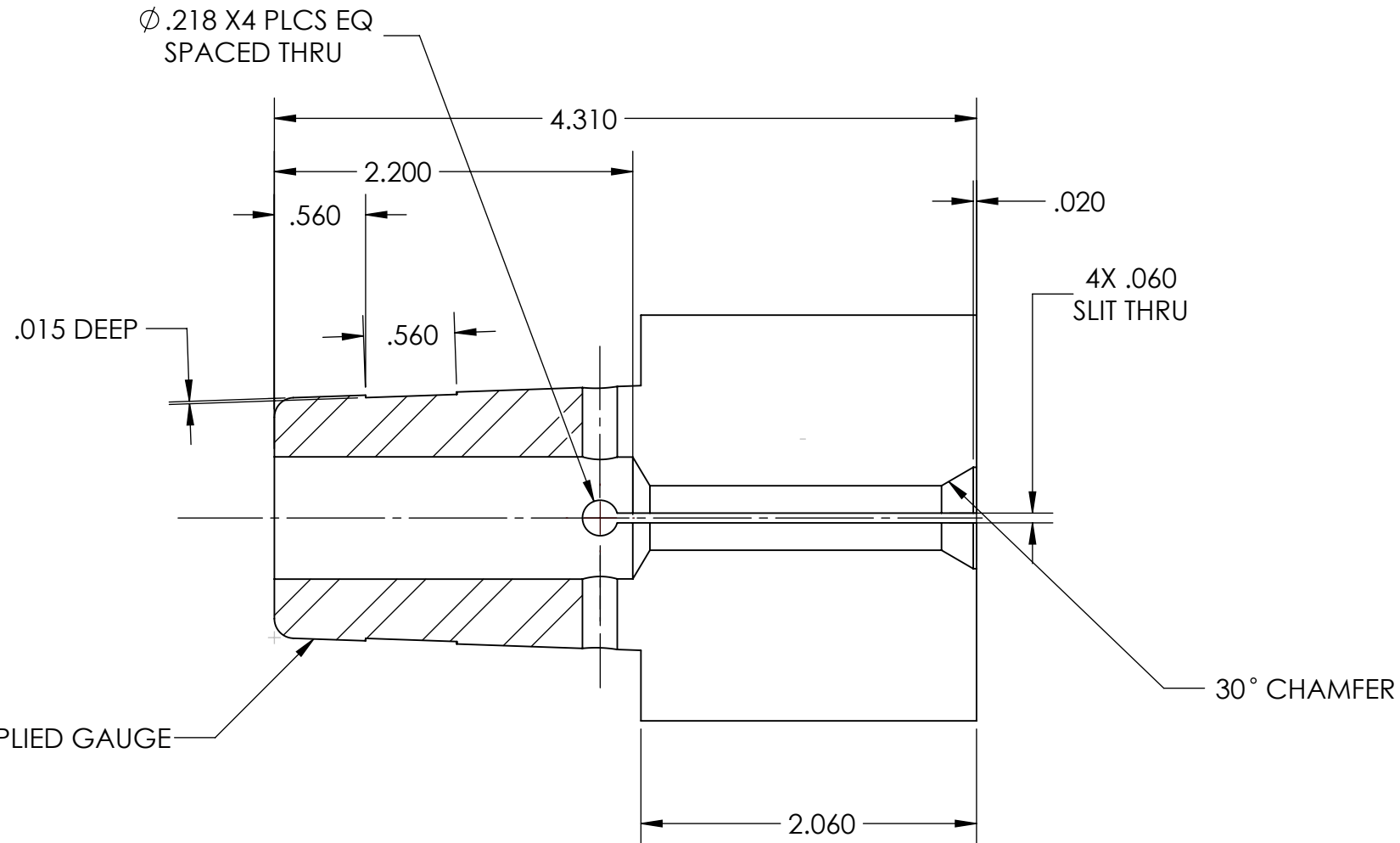
4

3

2

1

REVISION HISTORY			
REV	DESCRIPTION	APPROVED	DATE
-			



SECTION A-A  
SCALE 1 : 1

FIT TAPER TO ROVI SUPPLIED GAUGE

PROPRIETARY AND CONFIDENTIAL  
THE INFORMATION CONTAINED IN THIS  
DRAWING IS THE SOLE PROPERTY OF  
ROVI PRODUCTS INC. ANY  
REPRODUCTION IN PART OR AS A  
WHOLE WITHOUT THE WRITTEN  
PERMISSION OF ROVI PRODUCTS INC  
IS PROHIBITED.

UNLESS OTHERWISE SPECIFIED:	NAME	DATE
DIMENSIONS ARE IN INCHES	R. PEREZ	09/03/22
ANGULAR $\pm .5^\circ$	CHECKED	
TWO PLACE DECIMAL $\pm .01$	ENG APPR.	
THREE PLACE DECIMAL $\pm .003$	MFG APPR.	
FILLET RADII .015 MAX	Q.A.	
BREAK CORNERS .005/.010		
ALL $\phi$ CONC WITHIN .005 T.I.R.		
SURFACE FINISH 125/ $\sqrt{\quad}$	THIRD ANGLE PROJECTION	
INTERPRET DRAWING PER: ASME Y14.5-2009		
DO NOT SCALE DRAWING		

**rovi** PRODUCTS INCORPORATED  
ROVI PRODUCTS INC  
4648 RUNWAY ST #B  
SIMI VALLEY, CA 93063

TITLE:  
EXPANDING COLLET, KEY  
DIMENSIONS

SIZE	DWG. NO.	REV
<b>B</b>	2.5X2-8	---

SCALE: 1:1    WEIGHT: 3.504 LBS    SHEET 1 OF 1

4

3

2

1

B

B

A

A