

4

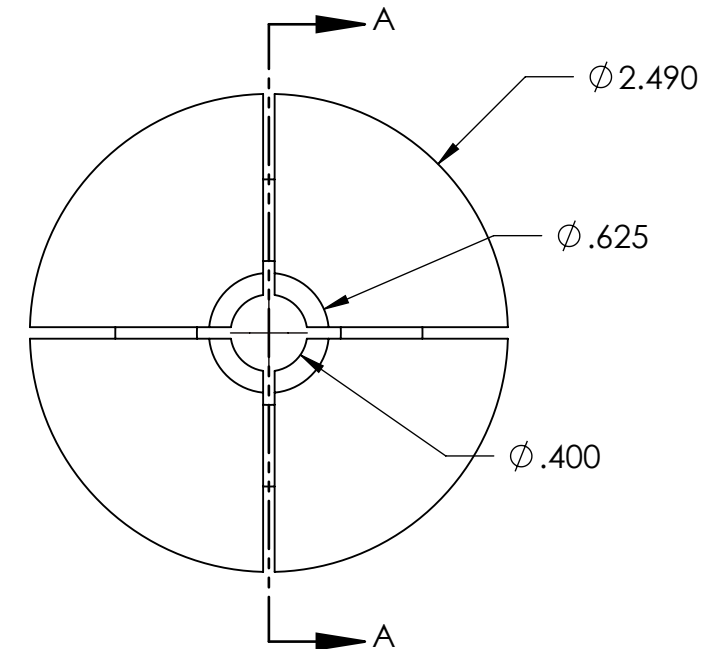
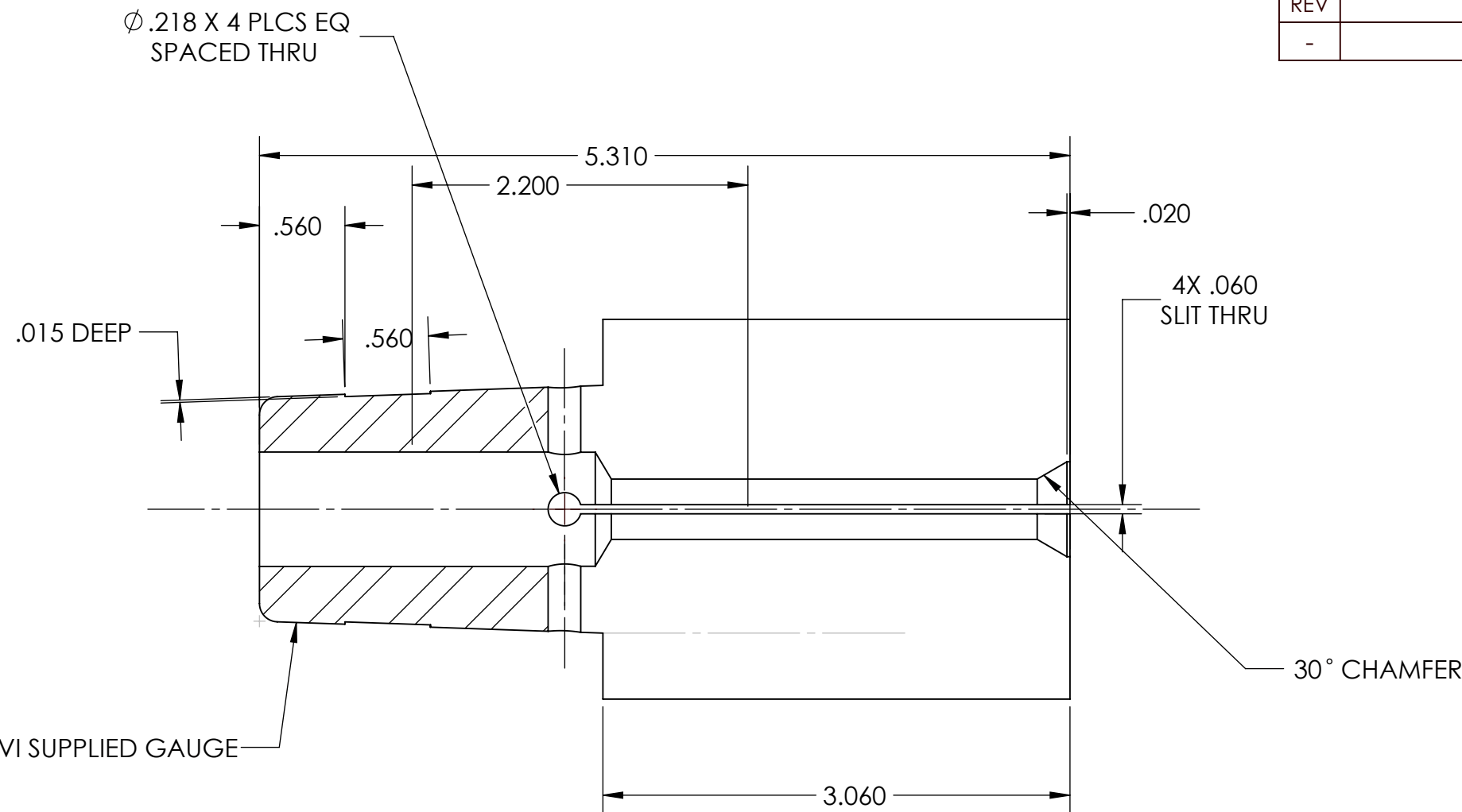
3

2

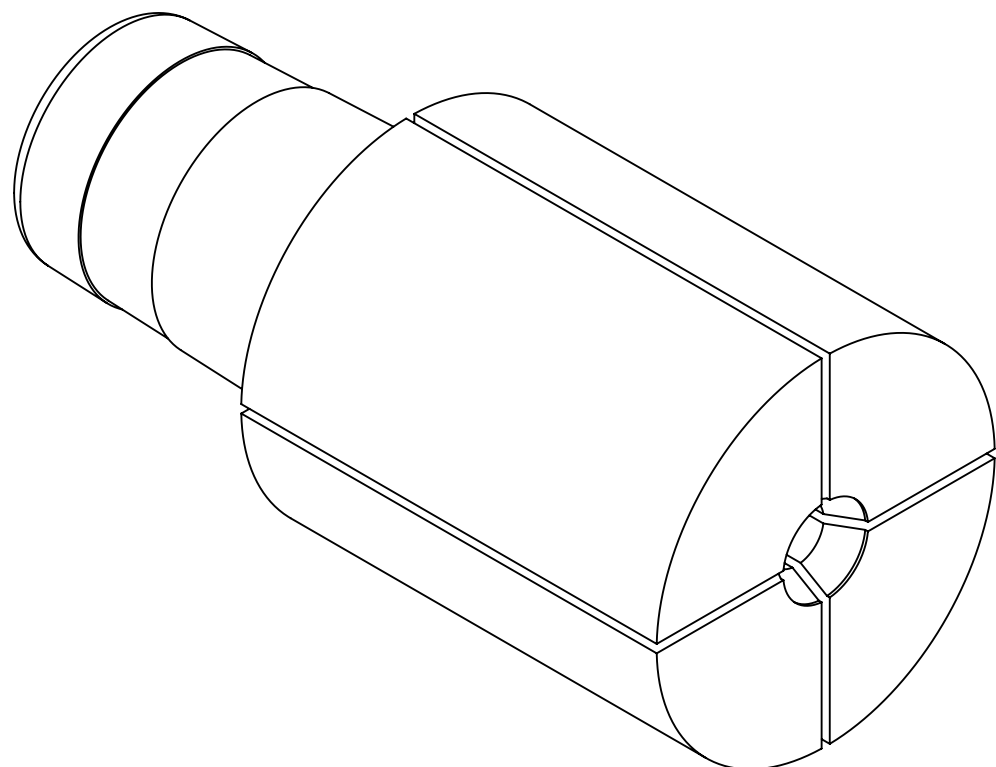
1

REVISION HISTORY

REV	DESCRIPTION	APPROVED	DATE
-			



SECTION A-A  
SCALE 1 : 1



UNLESS OTHERWISE SPECIFIED:

	NAME	DATE
DRAWN	R. PEREZ	09/03/22
CHECKED		
ENG APPR.		
MFG APPR.		
Q.A.		

DIMENSIONS ARE IN INCHES  
 ANGULAR  $\pm .5^\circ$   
 TWO PLACE DECIMAL  $\pm .01$   
 THREE PLACE DECIMAL  $\pm .003$   
 FILLET RADII .015 MAX  
 BREAK CORNERS .005/.010  
 ALL  $\phi$  CONC WITHIN .005 T.I.R.  
 SURFACE FINISH 125/ $\sqrt{\quad}$   
 INTERPRET DRAWING PER: ASME Y14.5-2009  
 DO NOT SCALE DRAWING

THIRD ANGLE PROJECTION

PROPRIETARY AND CONFIDENTIAL  
 THE INFORMATION CONTAINED IN THIS  
 DRAWING IS THE SOLE PROPERTY OF  
 ROVI PRODUCTS INC. ANY  
 REPRODUCTION IN PART OR AS A  
 WHOLE WITHOUT THE WRITTEN  
 PERMISSION OF ROVI PRODUCTS INC  
 IS PROHIBITED.

**rovi** PRODUCTS INCORPORATED  
 ROVI PRODUCTS INC  
 4648 RUNWAY ST #B  
 SIMI VALLEY, CA 93063

TITLE:  
EXPANDING COLLET, KEY DIMENSIONS

SIZE	DWG. NO.	REV
<b>B</b>	2.5X2-8	---

SCALE: 1:1    WEIGHT: 4.780 LBS    SHEET 1 OF 1

4

3

2

1

B

B

A

A