

4

3

2

1

REVISION HISTORY

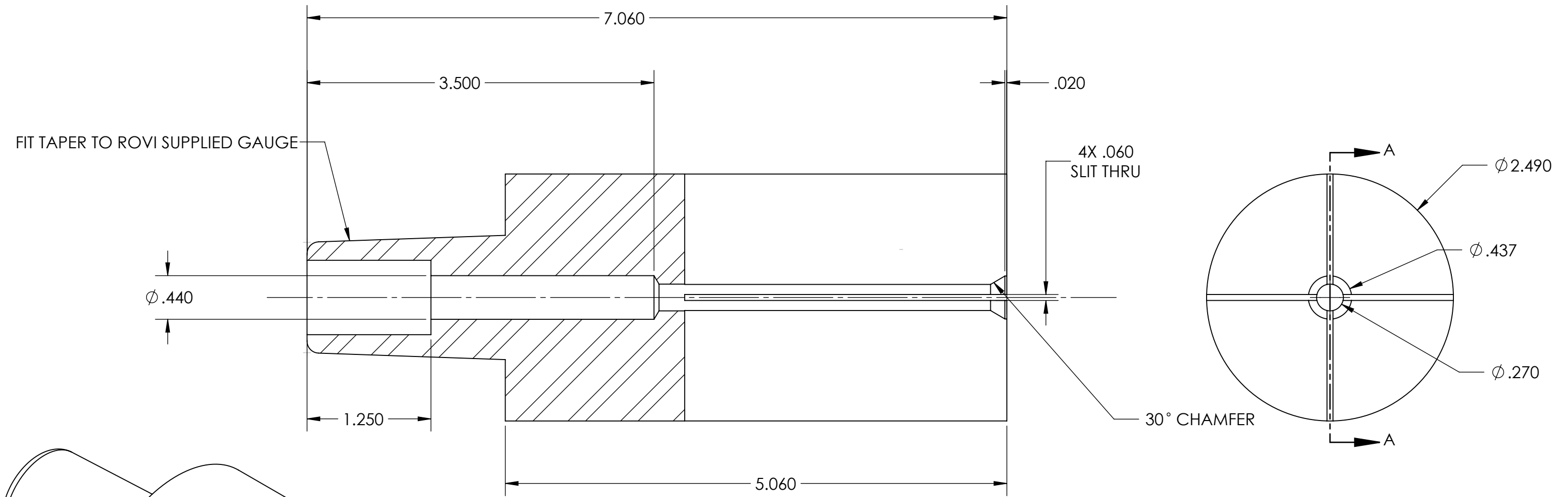
| REV | DESCRIPTION | APPROVED | DATE |
|-----|-------------|----------|------|
| -   |             |          |      |

B

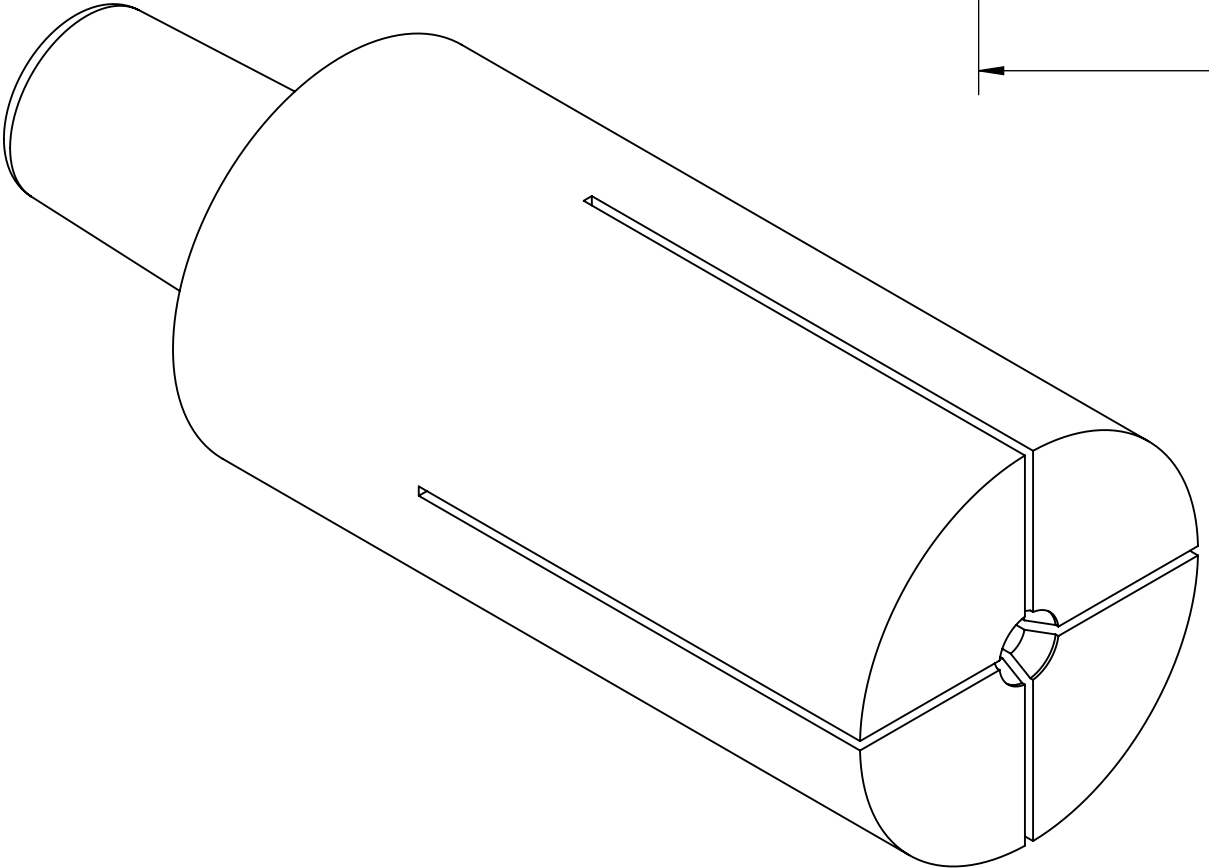
B

A

A



SECTION A-A  
SCALE 1 : 1



PROPRIETARY AND CONFIDENTIAL  
 THE INFORMATION CONTAINED IN THIS  
 DRAWING IS THE SOLE PROPERTY OF  
 ROVI PRODUCTS INC. ANY  
 REPRODUCTION IN PART OR AS A  
 WHOLE WITHOUT THE WRITTEN  
 PERMISSION OF ROVI PRODUCTS INC  
 IS PROHIBITED.

|   |                        |          |
|---|------------------------|----------|
| UNLESS OTHERWISE SPECIFIED:               | NAME                   | DATE     |
| DIMENSIONS ARE IN INCHES                  | R. PEREZ               | 09/03/22 |
| ANGULAR ±.5°                              | CHECKED                |          |
| TWO PLACE DECIMAL ±.01                    | ENG APPR.              |          |
| THREE PLACE DECIMAL ±.003                 | MFG APPR.              |          |
| FILLET RADII .015 MAX                     | Q.A.                   |          |
| BREAK CORNERS .005/.010                   |                        |          |
| ALL Ø CONC WITHIN .005 T.I.R.             |                        |          |
| SURFACE FINISH 125/√                      | THIRD ANGLE PROJECTION |          |
| INTERPRET DRAWING PER:<br>ASME Y14.5-2009 |                        |          |
| DO NOT SCALE DRAWING                      |                        |          |

**rovi** PRODUCTS INCORPORATED  
 ROVI PRODUCTS INC  
 4648 RUNWAY ST #B  
 SIMI VALLEY, CA 93063

TITLE:  
**EXPANDING COLLET, KEY  
 DIMENSIONS**

|          |          |     |
|----------|----------|-----|
| SIZE     | DWG. NO. | REV |
| <b>B</b> | 2.5X5-4  | --- |

SCALE: 1:1    WEIGHT: 7.057 LBS    SHEET 1 OF 1

4

3

2

1