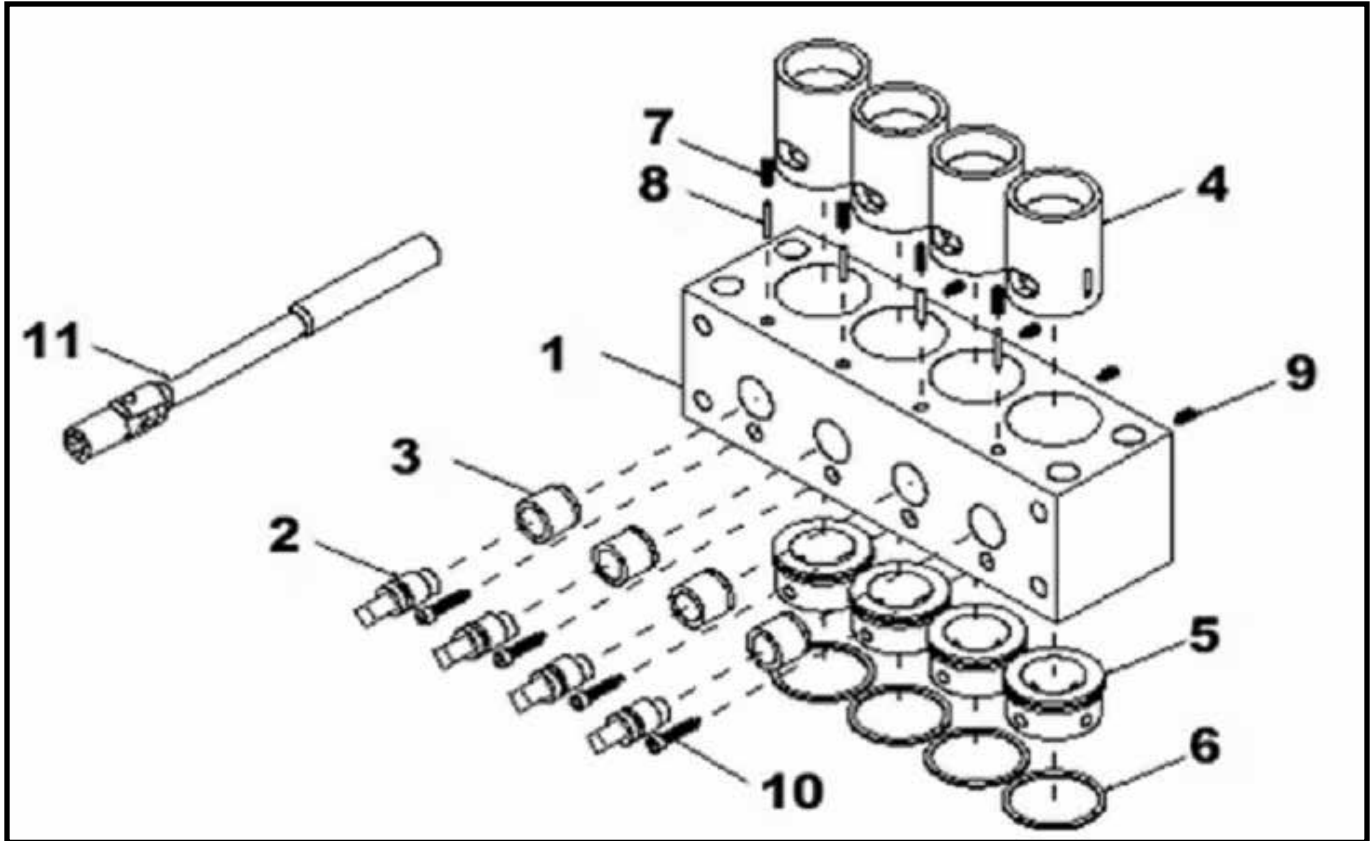




# 5C MULTI BLOCK PARTS LIST

## 4 STATION, 6 STATION, 8 STATION



ITEM	QUANTITY	PART NUMBER	PART NAME
1	1	640404-000111	MAIN BODY
2	4	640404-000112	3/8" SQUARE CAM
3	4	640404-000113	BUSHING
4	4	640404-000114	5C COLLET SLEEVE
5	4	640404-000115	COLLET NUT WITH O29 O-RING
6	4	640404-000132	SNAP RING
7	4	640404-000118	10-32 X 1/2" SOCKET SET SCREW
8	4	640404-000119	1/8 X 1" DOWEL PIN
9	4	640404-000120	10-32 X 1/2" SOCKET SET SCREW MODIFIED
10	4	640404-000120	10-32 X 1" SOCKET CAP SCREW MODIFIED
11	1	640404-000122	CAM WRENCH