

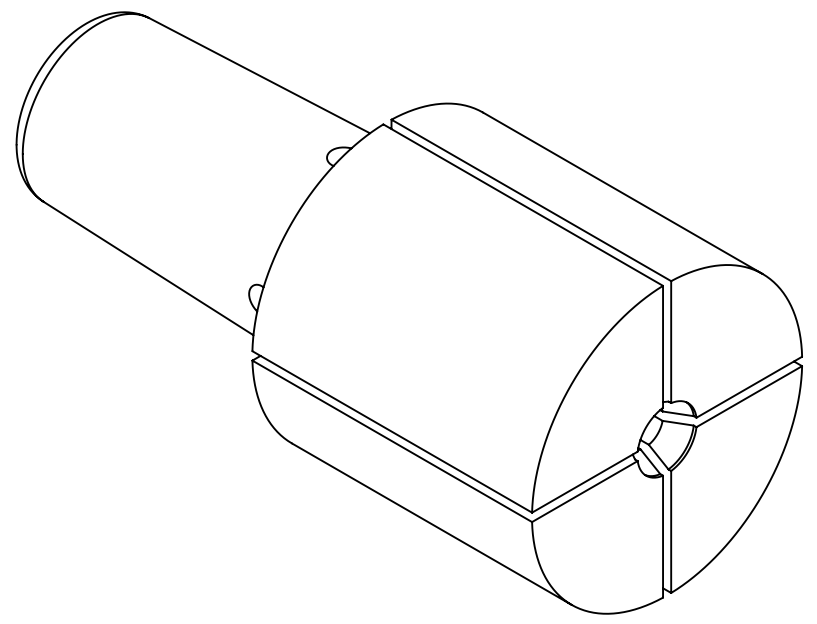
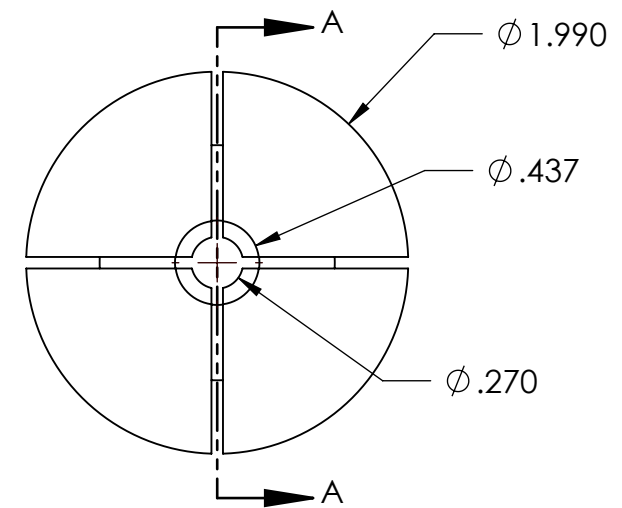
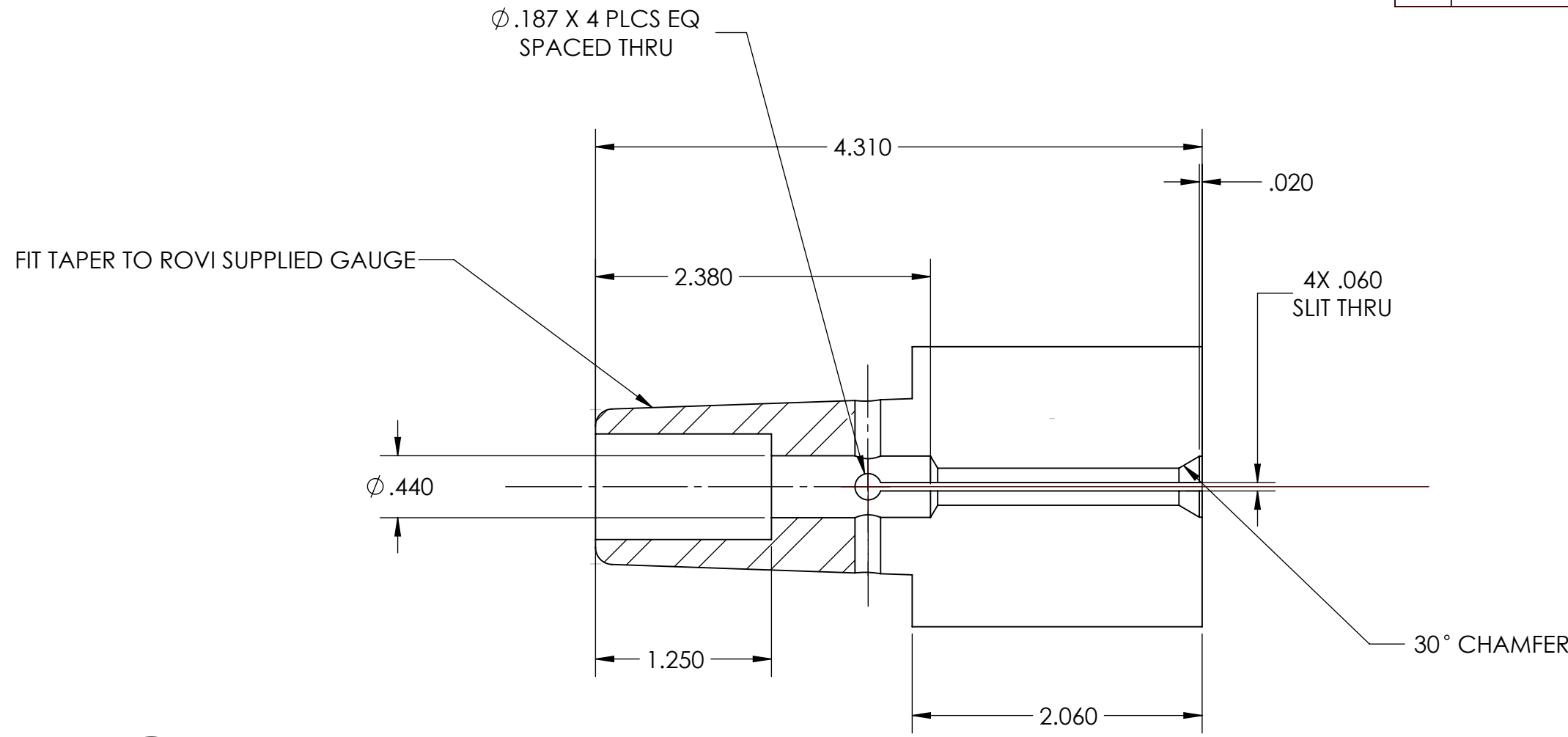
4

3

2

1

REVISION HISTORY			
REV	DESCRIPTION	APPROVED	DATE
-			



SECTION A-A
SCALE 1 : 1

UNLESS OTHERWISE SPECIFIED:		NAME	DATE
DIMENSIONS ARE IN INCHES		DRAWN R. PEREZ	09/03/22
ANGULAR	±.5°	CHECKED	
TWO PLACE DECIMAL	±.01	ENG APPR.	
THREE PLACE DECIMAL	±.003	MFG APPR.	
FILLET RADII	.015 MAX	Q.A.	
BREAK CORNERS	.005/.010		
ALL Ø CONC WITHIN .005 T.I.R.		THIRD ANGLE PROJECTION	
SURFACE FINISH 125/√			
INTERPRET DRAWING PER: ASME Y14.5-2009			
DO NOT SCALE DRAWING			

PROPRIETARY AND CONFIDENTIAL
THE INFORMATION CONTAINED IN THIS DRAWING IS THE SOLE PROPERTY OF ROVI PRODUCTS INC. ANY REPRODUCTION IN PART OR AS A WHOLE WITHOUT THE WRITTEN PERMISSION OF ROVI PRODUCTS INC IS PROHIBITED.

rovi PRODUCTS INCORPORATED
 ROVI PRODUCTS INC
 4648 RUNWAY ST #B
 SIMI VALLEY, CA 93063

TITLE:
EXPANDING COLLET, KEY DIMENSIONS

SIZE	DWG. NO.	REV
B	2X2-4	---

SCALE: 1:1 WEIGHT: 2.131 LBS SHEET 1 OF 1

4

3

2

1

B

B

A

A