

4

3

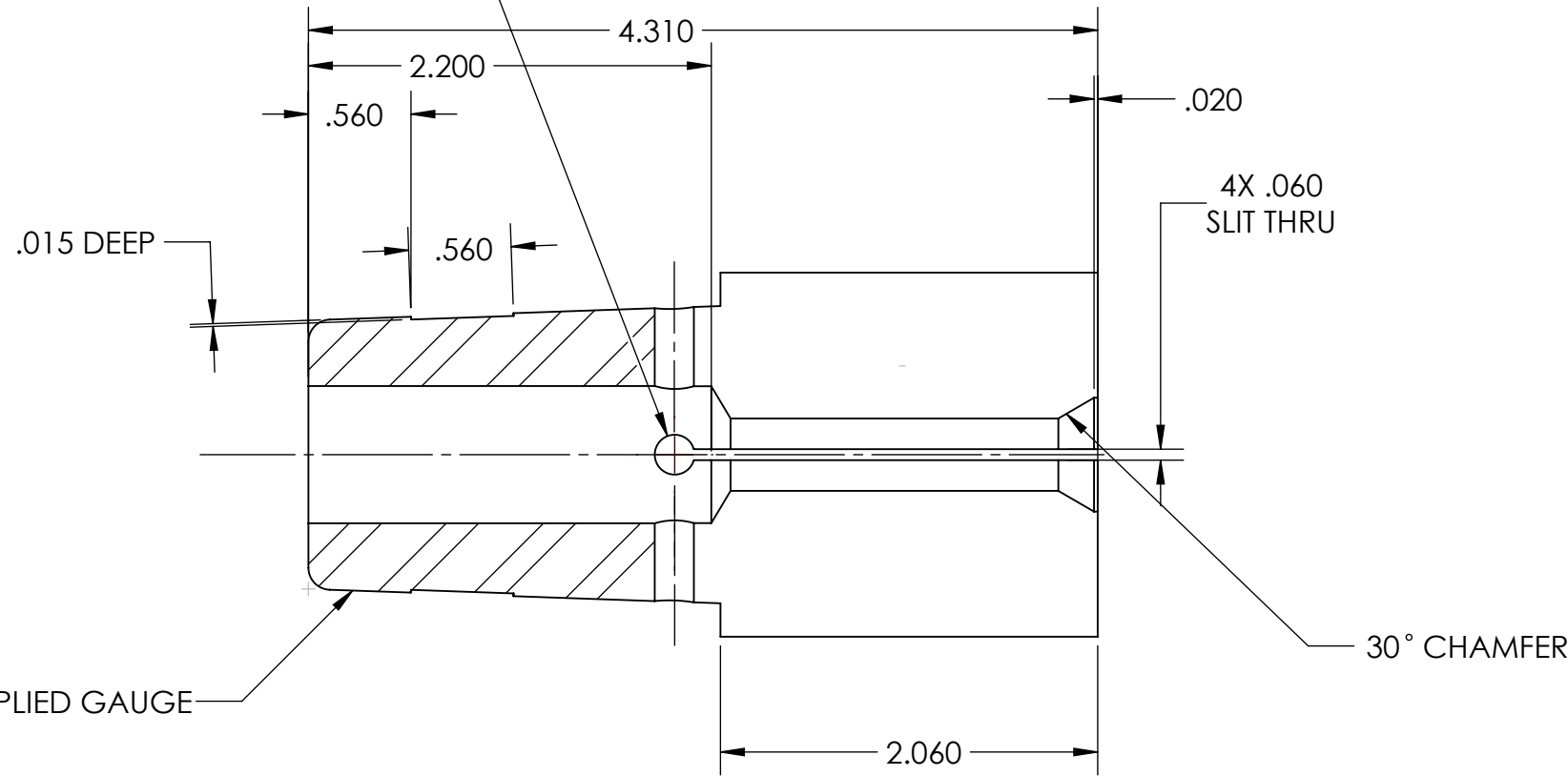
2

1

REVISION HISTORY

REV	DESCRIPTION	APPROVED	DATE
-			

Ø.218 X 4 PLCS EQ SPACED THRU

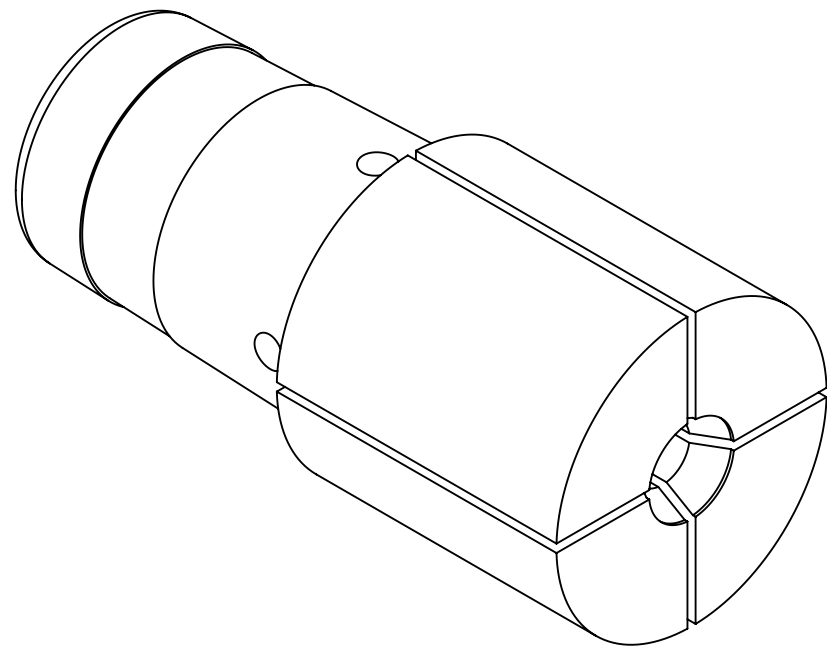
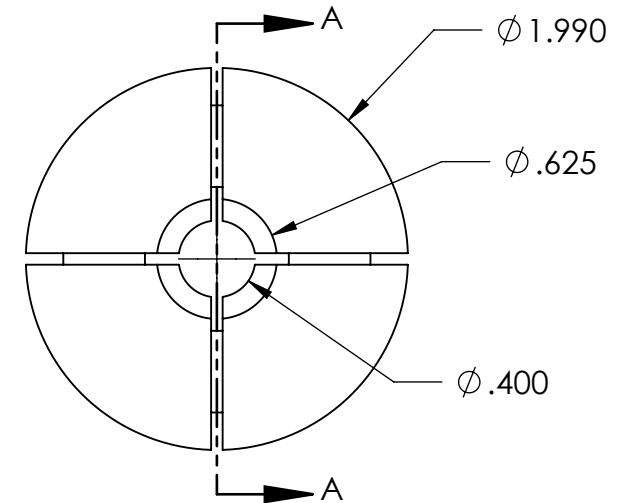


4X .060 SLIT THRU

30° CHAMFER

FIT TAPER TO ROVI SUPPLIED GAUGE

SECTION A-A
SCALE 1 : 1



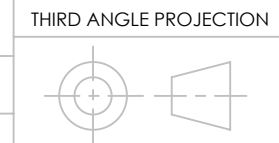
UNLESS OTHERWISE SPECIFIED:		NAME	DATE
DIMENSIONS ARE IN INCHES		DRAWN R. PEREZ	09/03/22
ANGULAR ±.5°		CHECKED	
TWO PLACE DECIMAL ±.01		ENG APPR.	
THREE PLACE DECIMAL ±.003		MFG APPR.	
FILLET RADII .015 MAX		Q.A.	
BREAK CORNERS .005/.010			
ALL Ø CONC WITHIN .005 T.I.R.			

rovi PRODUCTS INCORPORATED
 ROVI PRODUCTS INC
 4648 RUNWAY ST #B
 SIMI VALLEY, CA 93063

TITLE:
 EXPANDING COLLET, KEY DIMENSIONS

PROPRIETARY AND CONFIDENTIAL
 THE INFORMATION CONTAINED IN THIS DRAWING IS THE SOLE PROPERTY OF ROVI PRODUCTS INC. ANY REPRODUCTION IN PART OR AS A WHOLE WITHOUT THE WRITTEN PERMISSION OF ROVI PRODUCTS INC IS PROHIBITED.

SURFACE FINISH 125/
 INTERPRET DRAWING PER: ASME Y14.5-2009
 DO NOT SCALE DRAWING



SIZE	DWG. NO.	REV
B	2X2-8	---

SCALE: 1:1 WEIGHT: 2.510 LBS SHEET 1 OF 1

4

3

2

1

B

B

A

A