

4

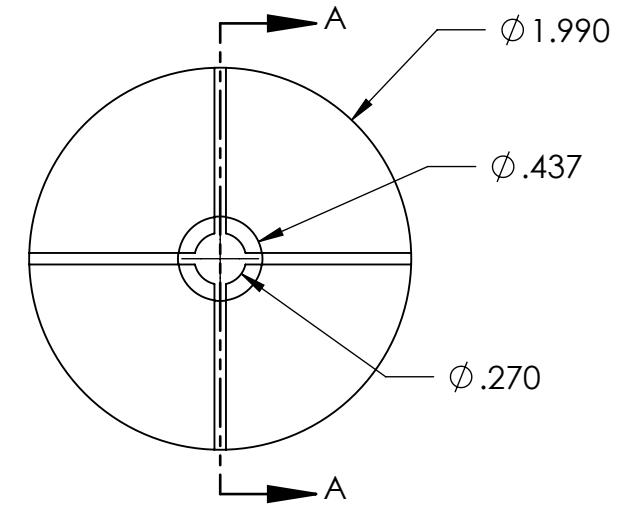
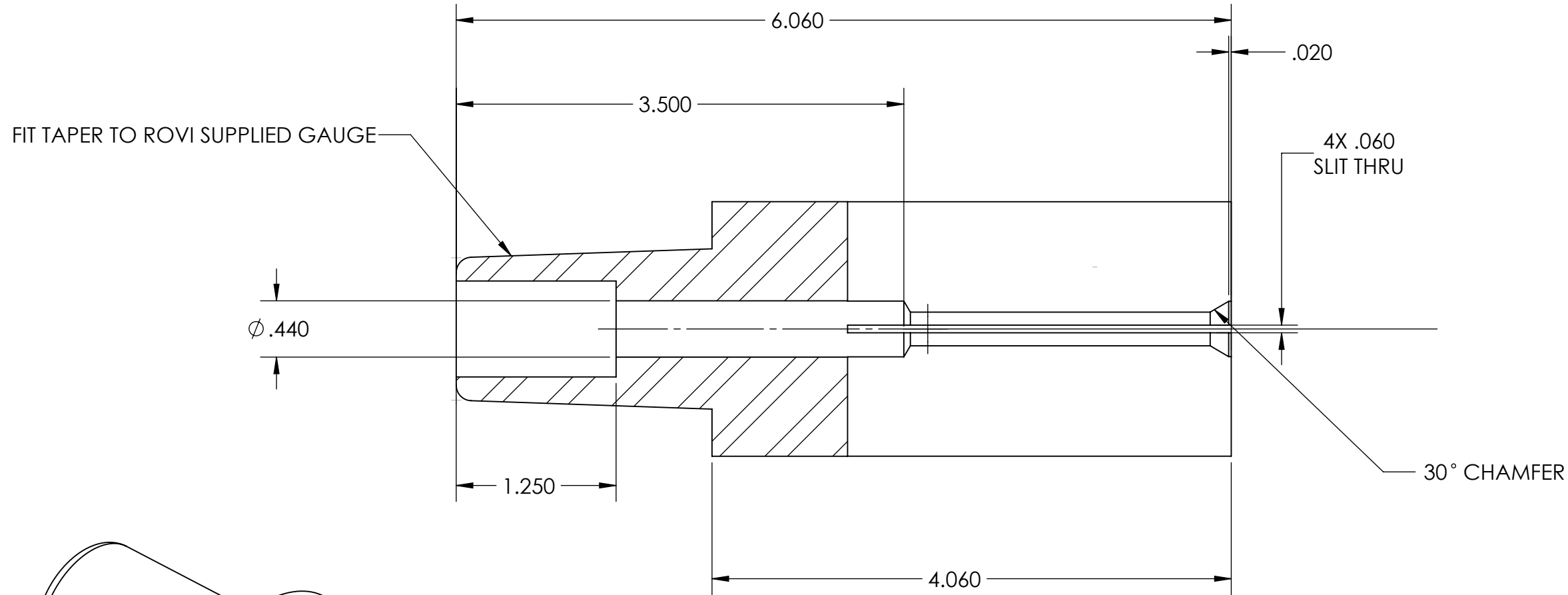
3

2

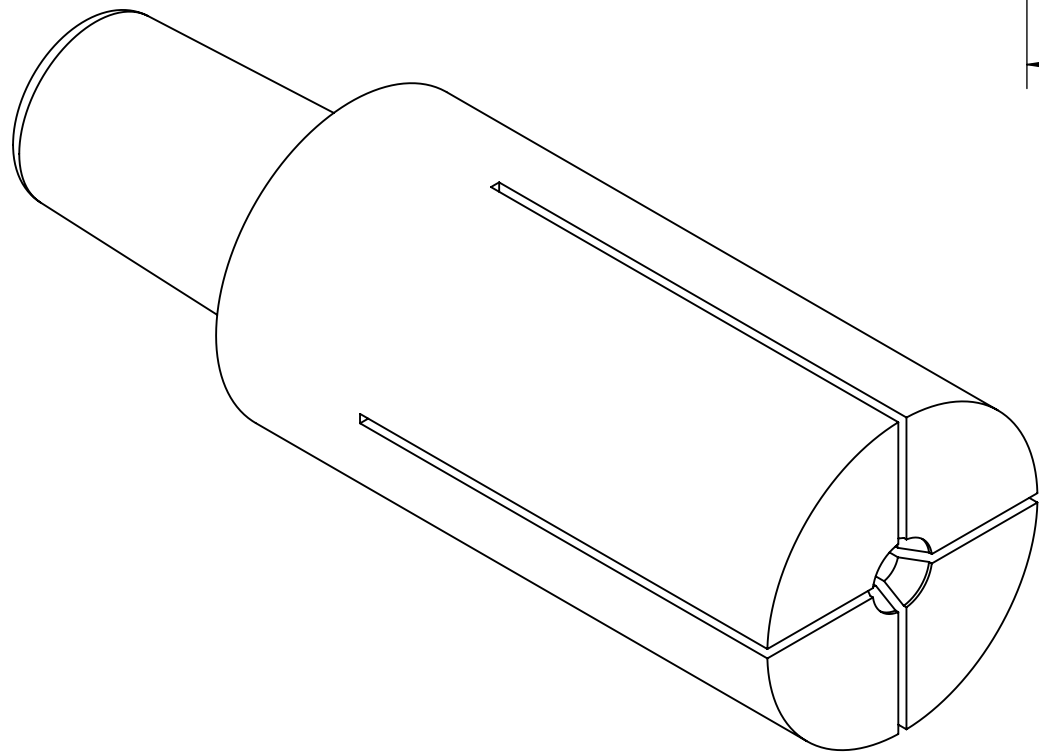
1

REVISION HISTORY

REV	DESCRIPTION	APPROVED	DATE
-			



SECTION A-A
SCALE 1 : 1



PROPRIETARY AND CONFIDENTIAL
THE INFORMATION CONTAINED IN THIS
DRAWING IS THE SOLE PROPERTY OF
ROVI PRODUCTS INC. ANY
REPRODUCTION IN PART OR AS A
WHOLE WITHOUT THE WRITTEN
PERMISSION OF ROVI PRODUCTS INC
IS PROHIBITED.

UNLESS OTHERWISE SPECIFIED:	NAME	DATE
DIMENSIONS ARE IN INCHES	DRAWN R. PEREZ	09/03/22
ANGULAR $\pm .5^\circ$	CHECKED	
TWO PLACE DECIMAL $\pm .01$	ENG APPR.	
THREE PLACE DECIMAL $\pm .003$	MFG APPR.	
FILLET RADII .015 MAX	Q.A.	
BREAK CORNERS .005/.010		
ALL ϕ CONC WITHIN .005 T.I.R.		
SURFACE FINISH 125/ $\sqrt{\quad}$	THIRD ANGLE PROJECTION	
INTERPRET DRAWING PER: ASME Y14.5-2009		
DO NOT SCALE DRAWING		

rovi PRODUCTS INCORPORATED
ROVI PRODUCTS INC
4648 RUNWAY ST #B
SIMI VALLEY, CA 93063

TITLE:
EXPANDING COLLET, KEY
DIMENSIONS

SIZE	DWG. NO.	REV
B	2X4-4	---

SCALE: 1:1 WEIGHT: 3.736 LBS SHEET 1 OF 1

4

3

2

1

B

B

A

A