

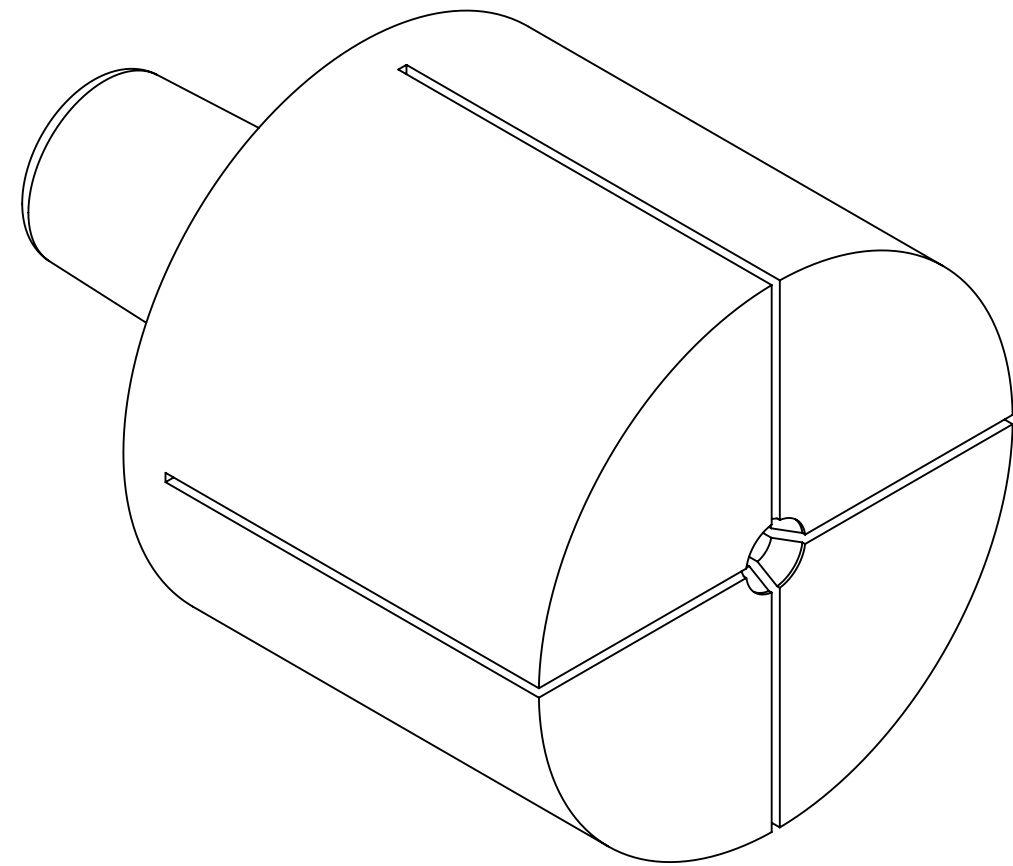
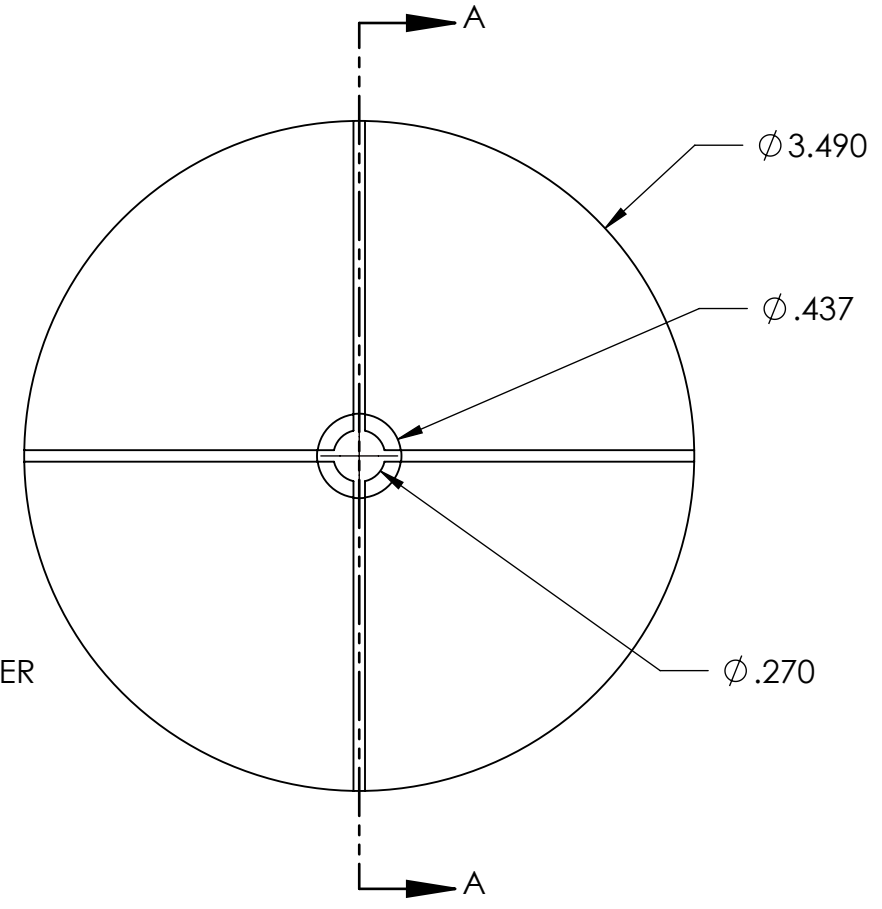
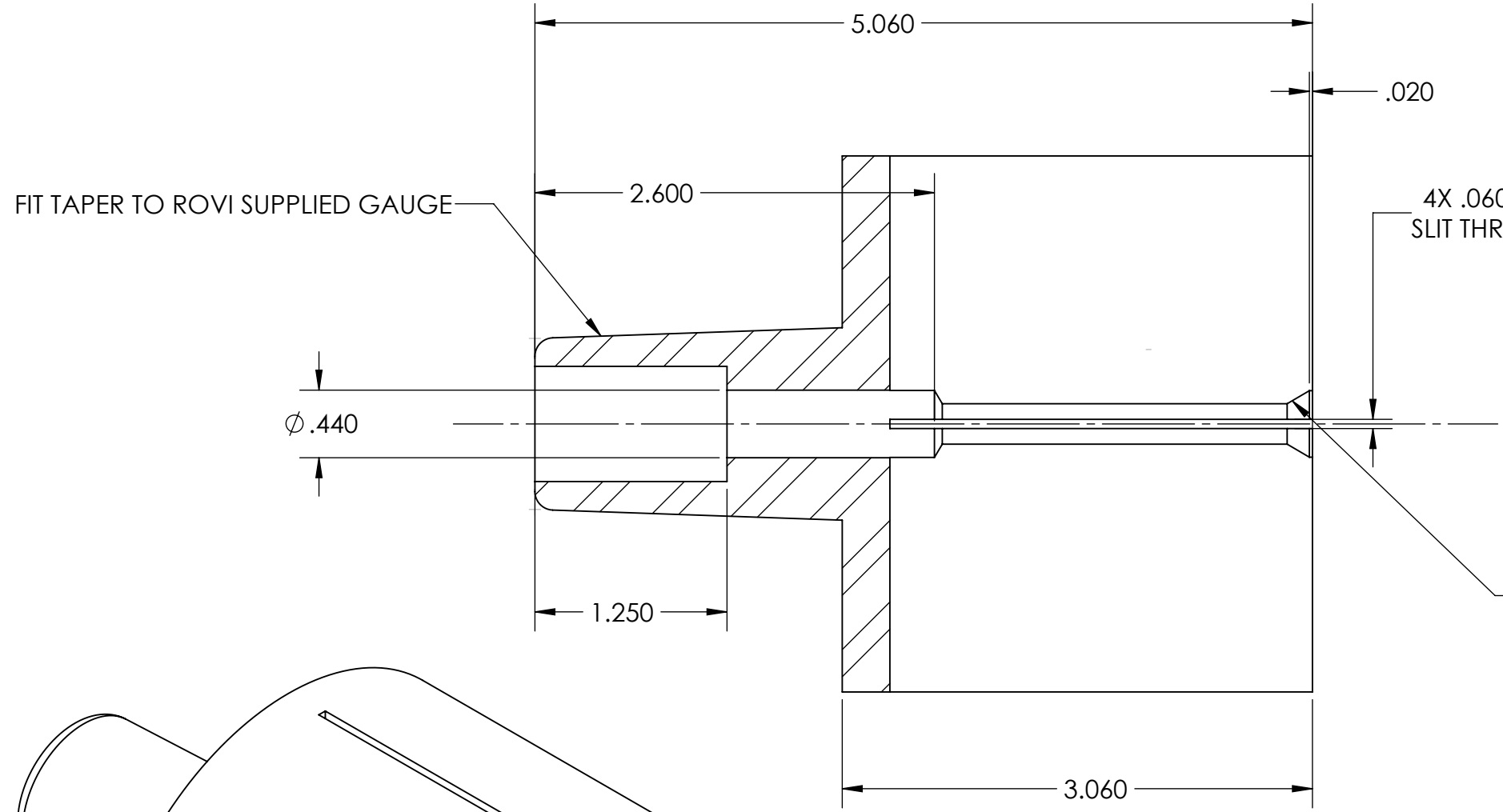
4

3

2

1

| REVISION HISTORY |             |          |      |
|------------------|-------------|----------|------|
| REV              | DESCRIPTION | APPROVED | DATE |
| -                |             |          |      |



SECTION A-A  
SCALE 1 : 1

|  |           |                        |          |
|--|-----------|------------------------|----------|
| UNLESS OTHERWISE SPECIFIED:            |           | NAME                   | DATE     |
| DIMENSIONS ARE IN INCHES               |           | DRAWN R. PEREZ         | 09/03/22 |
| ANGULAR                                | ±.5°      | CHECKED                |          |
| TWO PLACE DECIMAL                      | ±.01      | ENG APPR.              |          |
| THREE PLACE DECIMAL                    | ±.003     | MFG APPR.              |          |
| FILLET RADII                           | .015 MAX  | Q.A.                   |          |
| BREAK CORNERS                          | .005/.010 |                        |          |
| ALL Ø CONC WITHIN .005 T.I.R.          |           | THIRD ANGLE PROJECTION |          |
| SURFACE FINISH 125/√                   |           |                        |          |
| INTERPRET DRAWING PER: ASME Y14.5-2009 |           |                        |          |
| DO NOT SCALE DRAWING                   |           |                        |          |

PROPRIETARY AND CONFIDENTIAL  
THE INFORMATION CONTAINED IN THIS DRAWING IS THE SOLE PROPERTY OF ROVI PRODUCTS INC. ANY REPRODUCTION IN PART OR AS A WHOLE WITHOUT THE WRITTEN PERMISSION OF ROVI PRODUCTS INC IS PROHIBITED.

**rovi** PRODUCTS INCORPORATED  
ROVI PRODUCTS INC  
4648 RUNWAY ST #B  
SIMI VALLEY, CA 93063

TITLE:  
EXPANDING COLLET, KEY DIMENSIONS

|            |                   |              |
|------------|-------------------|--------------|
| SIZE       | DWG. NO.          | REV          |
| <b>B</b>   | 3.5X3-4           | ---          |
| SCALE: 1:1 | WEIGHT: 8.375 LBS | SHEET 1 OF 1 |

4

3

2

1

B

B

A

A