

4

3

2

1

REVISION HISTORY

REV	DESCRIPTION	APPROVED	DATE
-			

Ø .187 X 4 PLCS EQ SPACED THRU

4.310

.020

2.380

4X .060 SLIT THRU

Ø .440

1.250

2.060

30° CHAMFER

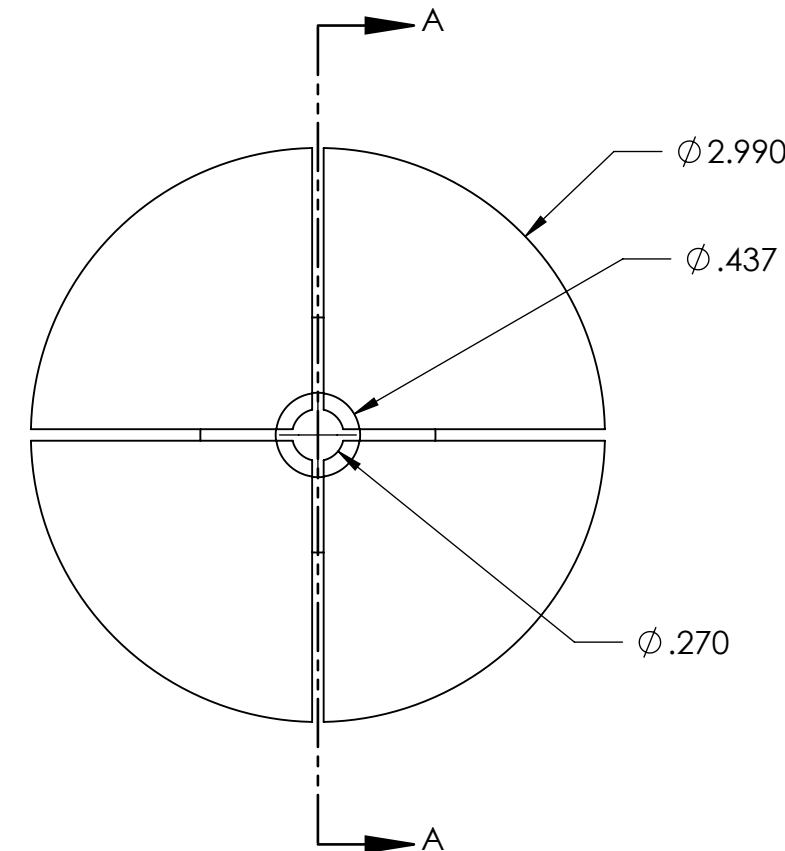
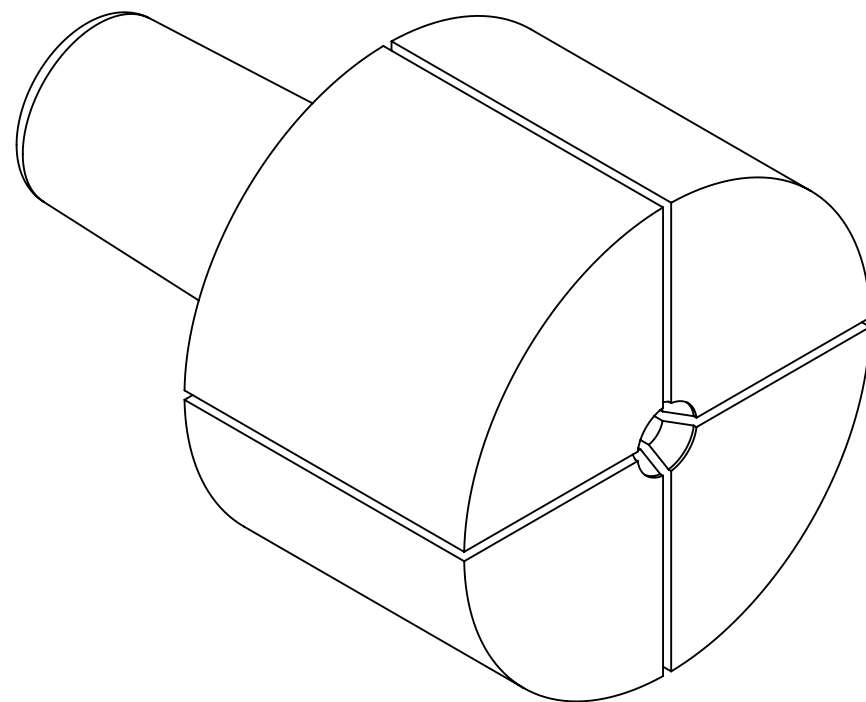
SECTION A-A  
SCALE 1 : 1

FIT TAPER TO ROVI SUPPLIED GAUGE

Ø 2.990

Ø .437

Ø .270



PROPRIETARY AND CONFIDENTIAL  
 THE INFORMATION CONTAINED IN THIS  
 DRAWING IS THE SOLE PROPERTY OF  
 ROVI PRODUCTS INC. ANY  
 REPRODUCTION IN PART OR AS A  
 WHOLE WITHOUT THE WRITTEN  
 PERMISSION OF ROVI PRODUCTS INC  
 IS PROHIBITED.

UNLESS OTHERWISE SPECIFIED:	NAME	DATE
DIMENSIONS ARE IN INCHES	R. PEREZ	09/03/22
ANGULAR ±.5°	CHECKED	
TWO PLACE DECIMAL ±.01	ENG APPR.	
THREE PLACE DECIMAL ±.003	MFG APPR.	
FILLET RADII .015 MAX	Q.A.	
BREAK CORNERS .005/.010		
ALL Ø CONC WITHIN .005 T.I.R.		
SURFACE FINISH 125/√	THIRD ANGLE PROJECTION	
INTERPRET DRAWING PER: ASME Y14.5-2009		
DO NOT SCALE DRAWING		

<b>rovi</b> PRODUCTS INCORPORATED		ROVI PRODUCTS INC 4648 RUNWAY ST #B SIMI VALLEY, CA 93063	
TITLE: EXPANDING COLLET, KEY DIMENSIONS			
SIZE	DWG. NO.	REV	
<b>B</b>	3X2-4	---	
SCALE: 1:1	WEIGHT: 4.349 LBS	SHEET 1 OF 1	

4

3

2

1

B

B

A

A