

4

3

2

1

REVISION HISTORY			
REV	DESCRIPTION	APPROVED	DATE
-			

Ø.218X4 PLCS EQ
SPACED THRU

.015 DEEP

.560

2.200

.560

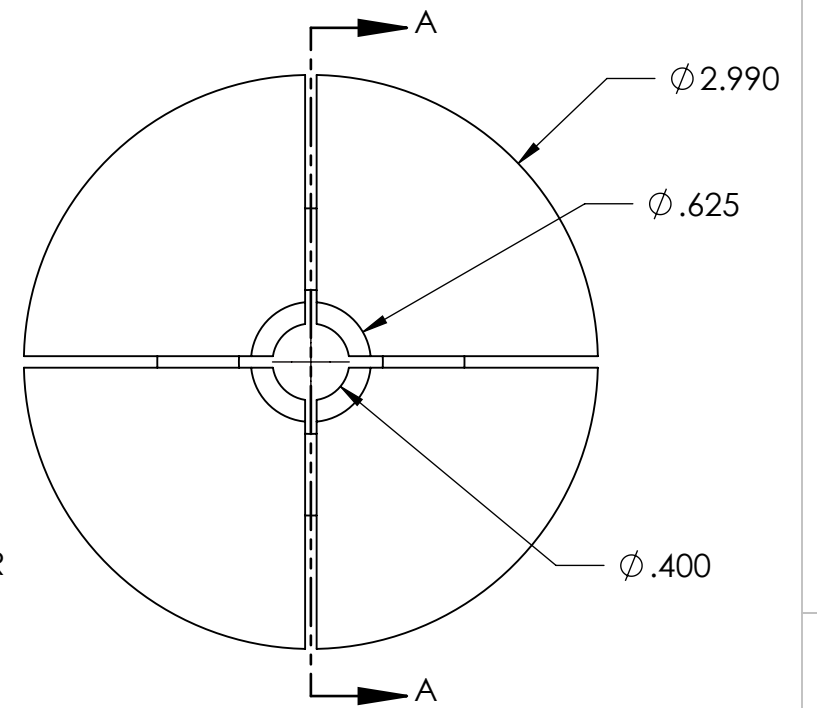
.020

4X .060
SLIT THRU

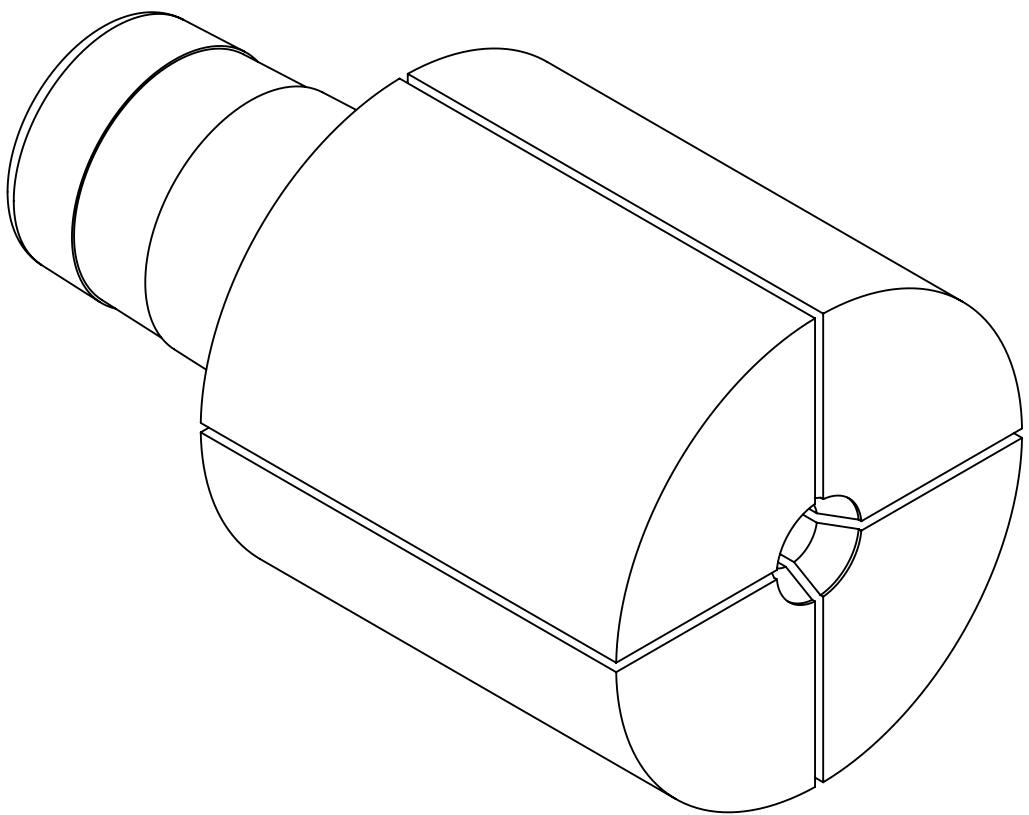
30° CHAMFER

3.060

FIT TAPER TO ROVI SUPPLIED GAUGE



SECTION A-A
SCALE 1 : 1



UNLESS OTHERWISE SPECIFIED:		NAME	DATE
DIMENSIONS ARE IN INCHES		DRAWN R. PEREZ	09/03/22
ANGULAR ±.5°	TWO PLACE DECIMAL ±.01	CHECKED	
THREE PLACE DECIMAL ±.003	FILLET RADII .015 MAX	ENG APPR.	
BREAK CORNERS .005/.010	ALL Ø CONC WITHIN .005 T.I.R.	MFG APPR.	
		Q.A.	
SURFACE FINISH 125/√		THIRD ANGLE PROJECTION	
INTERPRET DRAWING PER: ASME Y14.5-2009			
DO NOT SCALE DRAWING			

PROPRIETARY AND CONFIDENTIAL
THE INFORMATION CONTAINED IN THIS DRAWING IS THE SOLE PROPERTY OF ROVI PRODUCTS INC. ANY REPRODUCTION IN PART OR AS A WHOLE WITHOUT THE WRITTEN PERMISSION OF ROVI PRODUCTS INC IS PROHIBITED.

rovi PRODUCTS INCORPORATED
ROVI PRODUCTS INC
4648 RUNWAY ST #B
SIMI VALLEY, CA 93063

TITLE:
EXPANDING COLLET, KEY DIMENSIONS

SIZE	DWG. NO.	REV
B	3X2-8	---
SCALE: 1:1	WEIGHT: 6.597 LBS	SHEET 1 OF 1

4

3

2

1