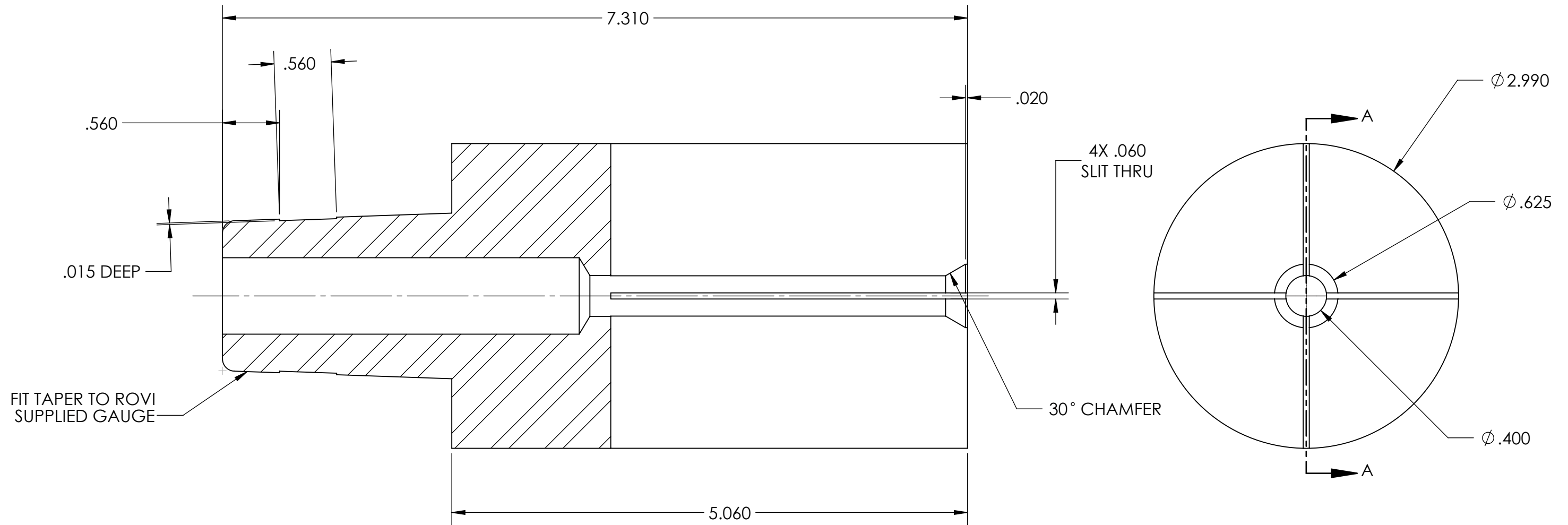
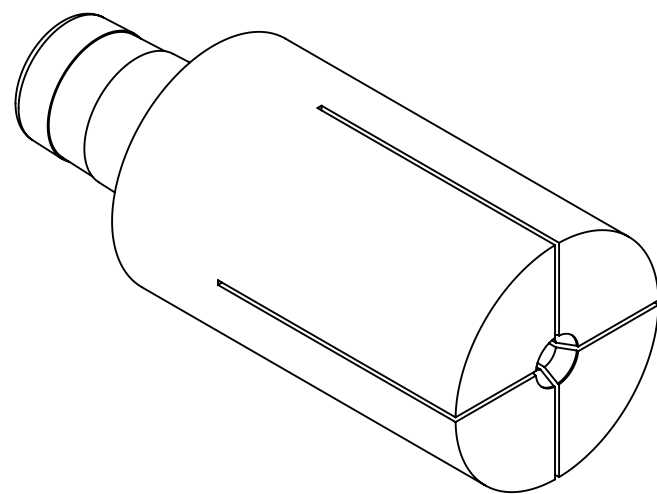


REVISION HISTORY			
REV	DESCRIPTION	APPROVED	DATE
-			



SECTION A-A



1:2 SCALE

UNLESS OTHERWISE SPECIFIED:		NAME	DATE
DIMENSIONS ARE IN INCHES		DRAWN R. PEREZ	09/03/22
ANGULAR ±.5°		CHECKED	
TWO PLACE DECIMAL ±.01		ENG APPR.	
THREE PLACE DECIMAL ±.003		MFG APPR.	
FILLET RADII .015 MAX		Q.A.	
BREAK CORNERS .005/.010			
ALL Ø CONC WITHIN .005 T.I.R.			
SURFACE FINISH 125/√		THIRD ANGLE PROJECTION	
INTERPRET DRAWING PER: ASME Y14.5-2009			
DO NOT SCALE DRAWING			

PROPRIETARY AND CONFIDENTIAL  
 THE INFORMATION CONTAINED IN THIS DRAWING IS THE SOLE PROPERTY OF ROVI PRODUCTS INC. ANY REPRODUCTION IN PART OR AS A WHOLE WITHOUT THE WRITTEN PERMISSION OF ROVI PRODUCTS INC IS PROHIBITED.

**rovi** PRODUCTS INCORPORATED  
 ROVI PRODUCTS INC  
 4648 RUNWAY ST #B  
 SIMI VALLEY, CA 93063

TITLE:  
 EXPANDING COLLET, KEY DIMENSIONS

SIZE	DWG. NO.	REV
B	3X5-8	---
SCALE: 1:1	WEIGHT: 10.379 LBS	SHEET 1 OF 1