

4

3

2

1

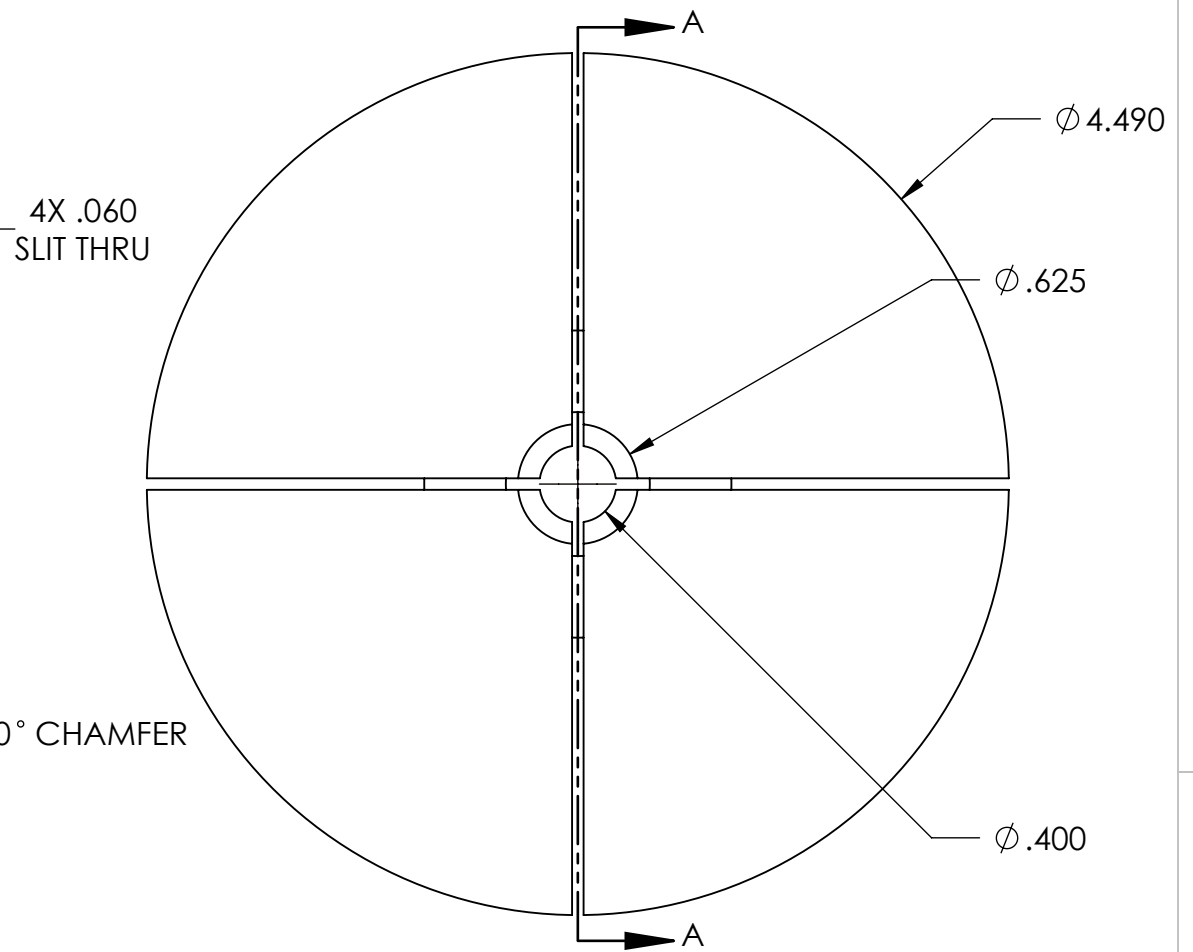
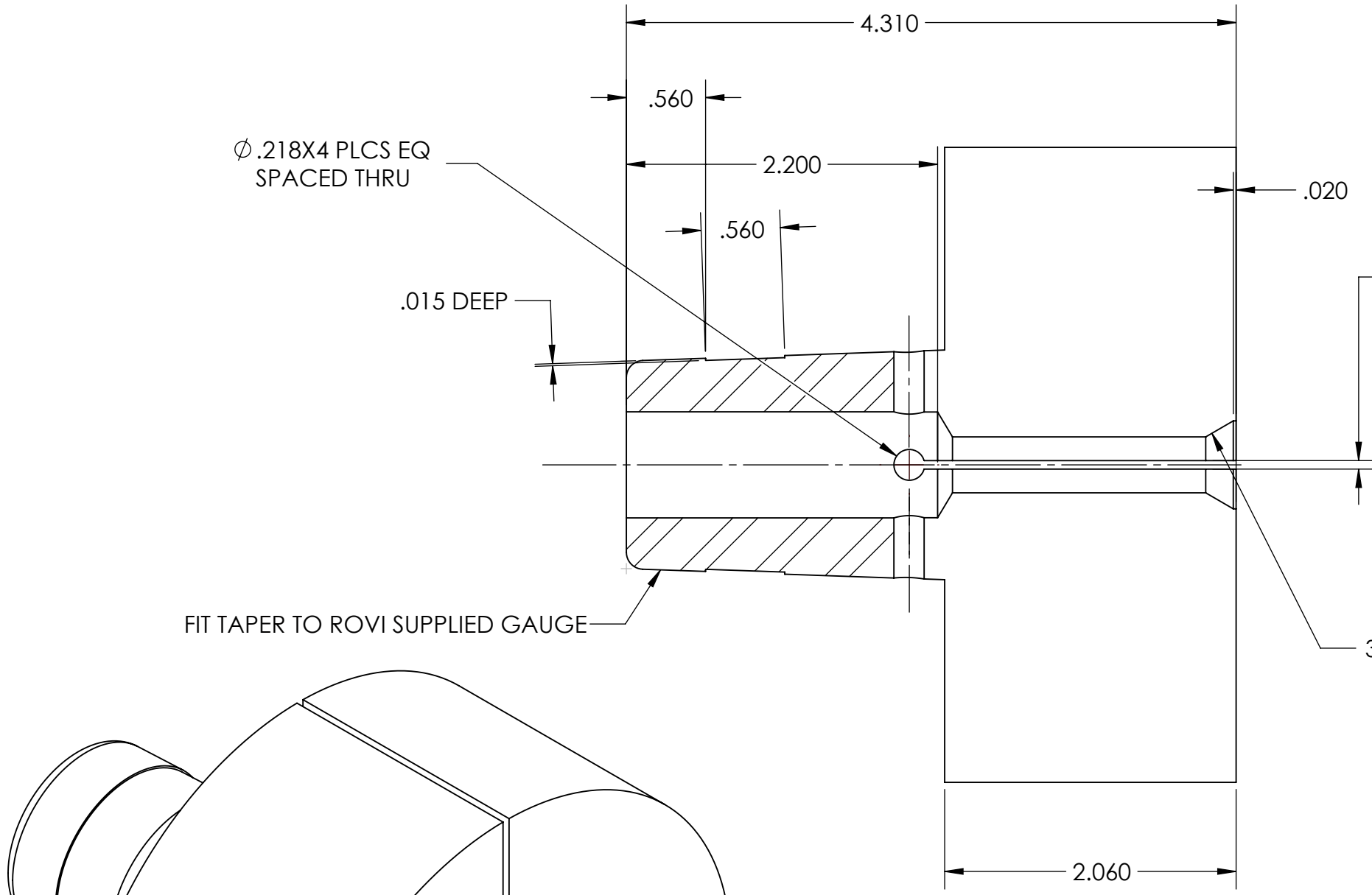
REVISION HISTORY			
REV	DESCRIPTION	APPROVED	DATE
-			

B

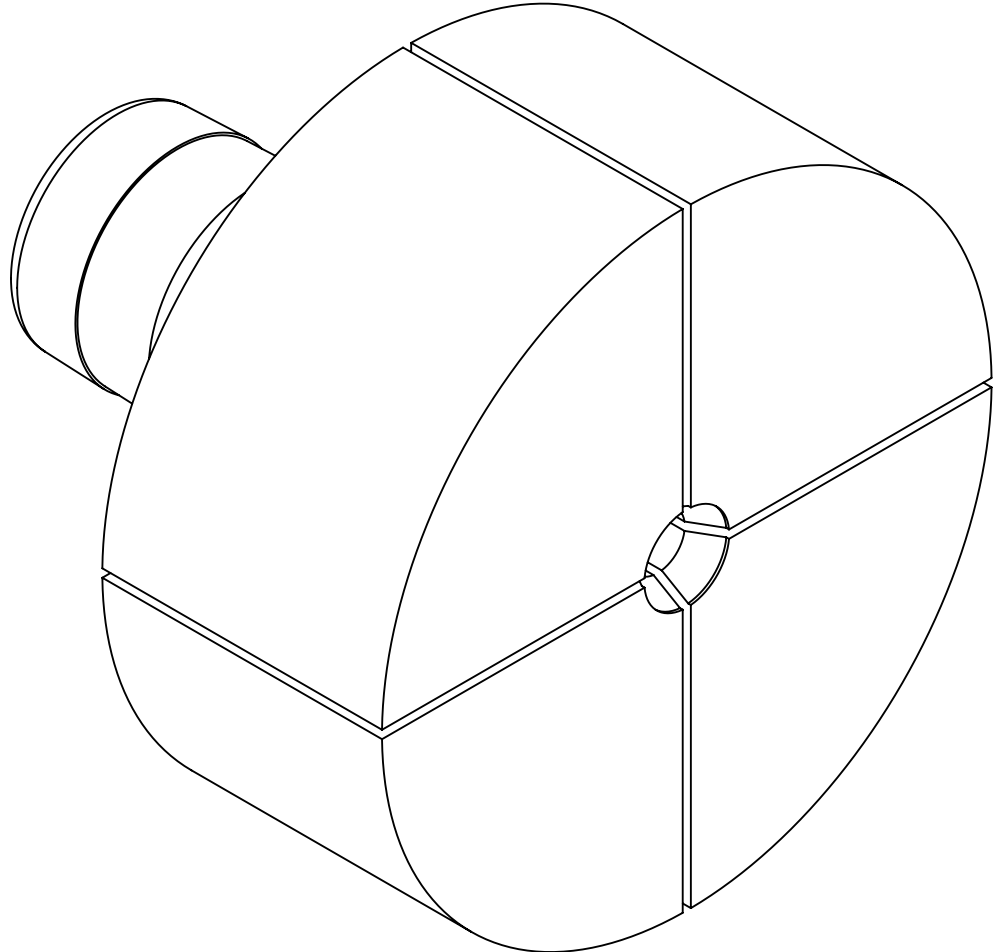
A

B

A



SECTION A-A
SCALE 1 : 1



UNLESS OTHERWISE SPECIFIED:		NAME	DATE
DIMENSIONS ARE IN INCHES		DRAWN	R. PEREZ 09/03/22
ANGULAR ±.5°		CHECKED	
TWO PLACE DECIMAL ±.01		ENG APPR.	
THREE PLACE DECIMAL ±.003		MFG APPR.	
FILLET RADII .015 MAX		Q.A.	
BREAK CORNERS .005/.010			
ALL Ø CONC WITHIN .005 T.I.R.			
SURFACE FINISH 125/√		THIRD ANGLE PROJECTION	
INTERPRET DRAWING PER: ASME Y14.5-2009			
DO NOT SCALE DRAWING			

PROPRIETARY AND CONFIDENTIAL
 THE INFORMATION CONTAINED IN THIS DRAWING IS THE SOLE PROPERTY OF ROVI PRODUCTS INC. ANY REPRODUCTION IN PART OR AS A WHOLE WITHOUT THE WRITTEN PERMISSION OF ROVI PRODUCTS INC IS PROHIBITED.

ROVI PRODUCTS INCORPORATED
 ROVI PRODUCTS INC
 4648 RUNWAY ST #B
 SIMI VALLEY, CA 93063

TITLE:
EXPANDING COLLET, KEY DIMENSIONS

SIZE	DWG. NO.	REV
B	4.5X2-8	---
SCALE: 1:1	WEIGHT: 9.776 LBS	SHEET 1 OF 1

4

3

2

1