

4

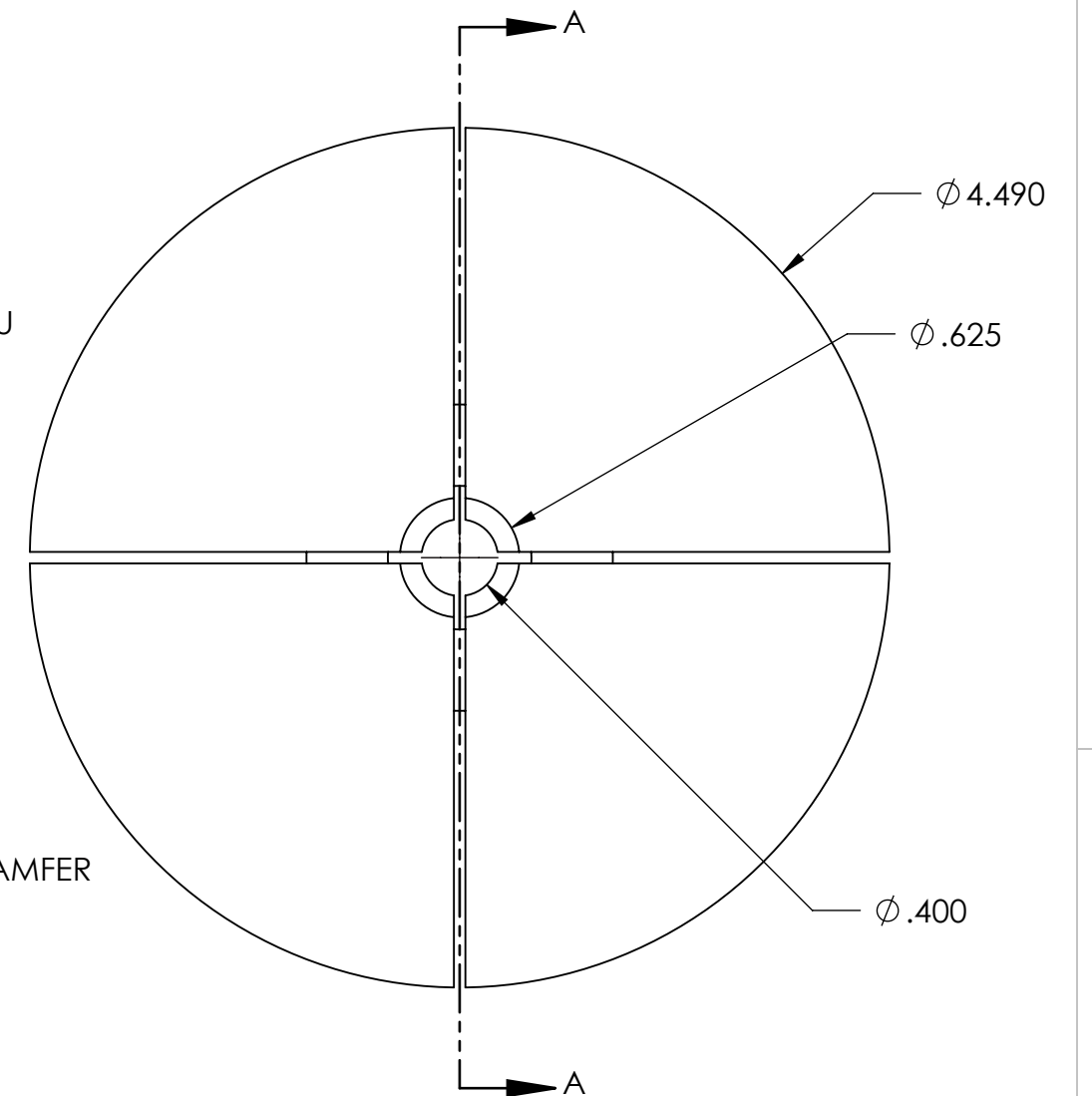
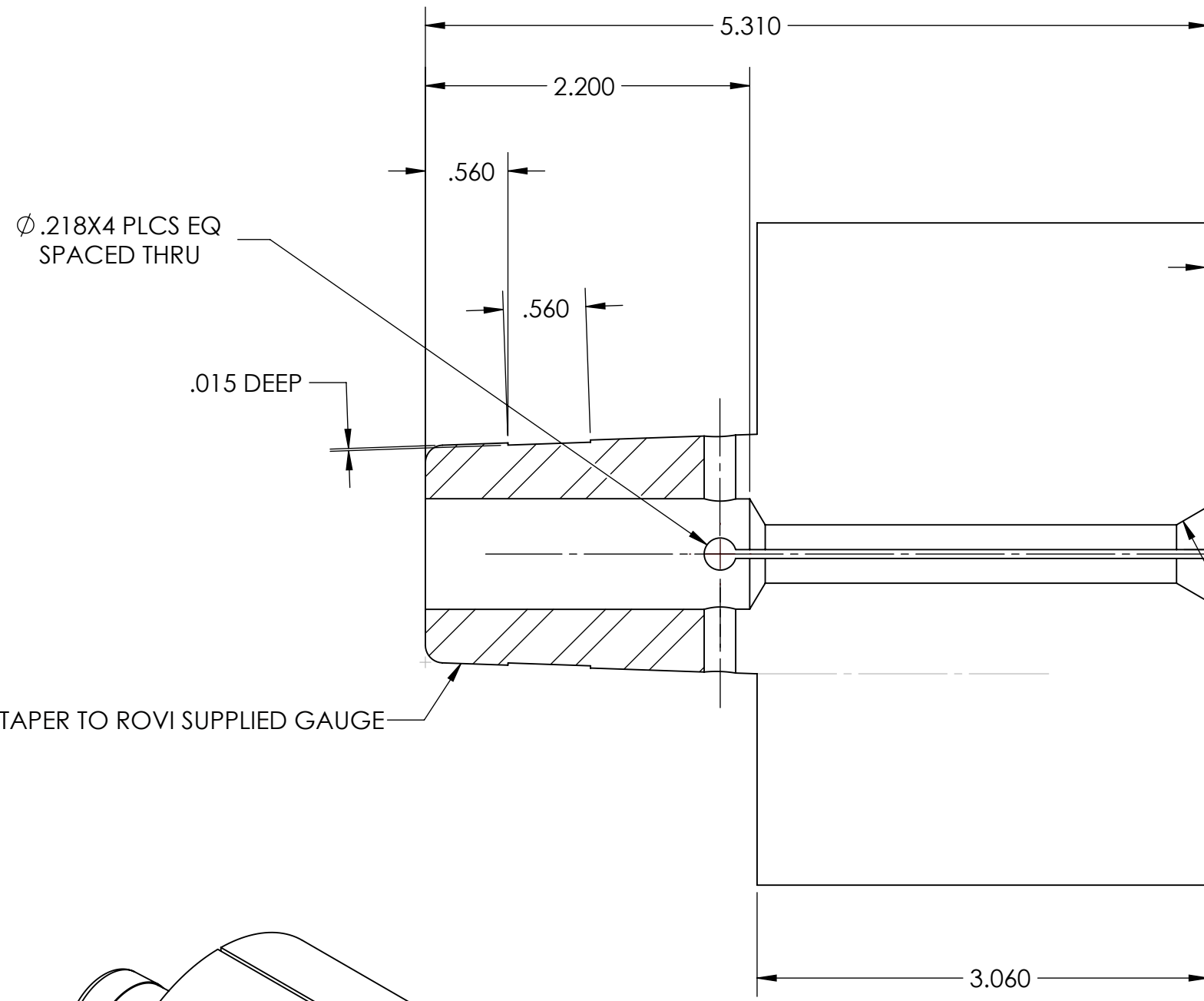
3

2

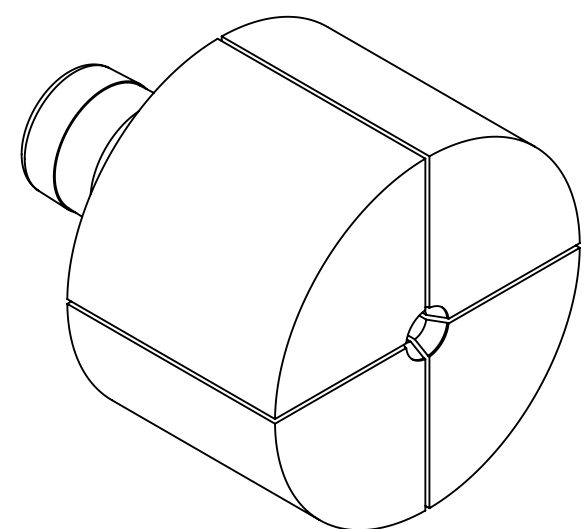
1

REVISION HISTORY

REV	DESCRIPTION	APPROVED	DATE
-			



SECTION A-A
SCALE 1 : 1



1/2: SCALE

UNLESS OTHERWISE SPECIFIED:

DIMENSIONS ARE IN INCHES	DRAWN	NAME	DATE
ANGULAR \pm .5°	CHECKED	R. PEREZ	09/03/22
TWO PLACE DECIMAL \pm .01	ENG APPR.		
THREE PLACE DECIMAL \pm .003	MFG APPR.		
FILLET RADII .015 MAX	Q.A.		
BREAK CORNERS .005/.010			
ALL ϕ CONC WITHIN .005 T.I.R.			
SURFACE FINISH 125/	THIRD ANGLE PROJECTION		
INTERPRET DRAWING PER: ASME Y14.5-2009			
DO NOT SCALE DRAWING			

PROPRIETARY AND CONFIDENTIAL
THE INFORMATION CONTAINED IN THIS DRAWING IS THE SOLE PROPERTY OF ROVI PRODUCTS INC. ANY REPRODUCTION IN PART OR AS A WHOLE WITHOUT THE WRITTEN PERMISSION OF ROVI PRODUCTS INC IS PROHIBITED.

rovi PRODUCTS INCORPORATED
ROVI PRODUCTS INC
4648 RUNWAY ST #B
SIMI VALLEY, CA 93063

TITLE:
EXPANDING COLLET, KEY DIMENSIONS

SIZE	DWG. NO.	REV
B	4.5X3-8	---
SCALE: 1:1	WEIGHT: 14.096 LBS	SHEET 1 OF 1

4

3

2

1

B

B

A

A