

4

3

2

1

REVISION HISTORY

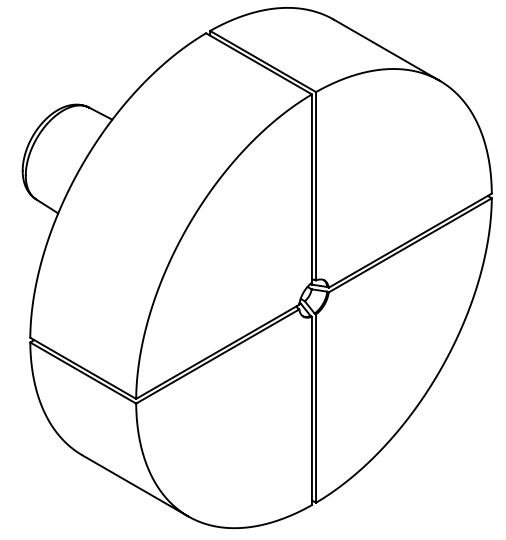
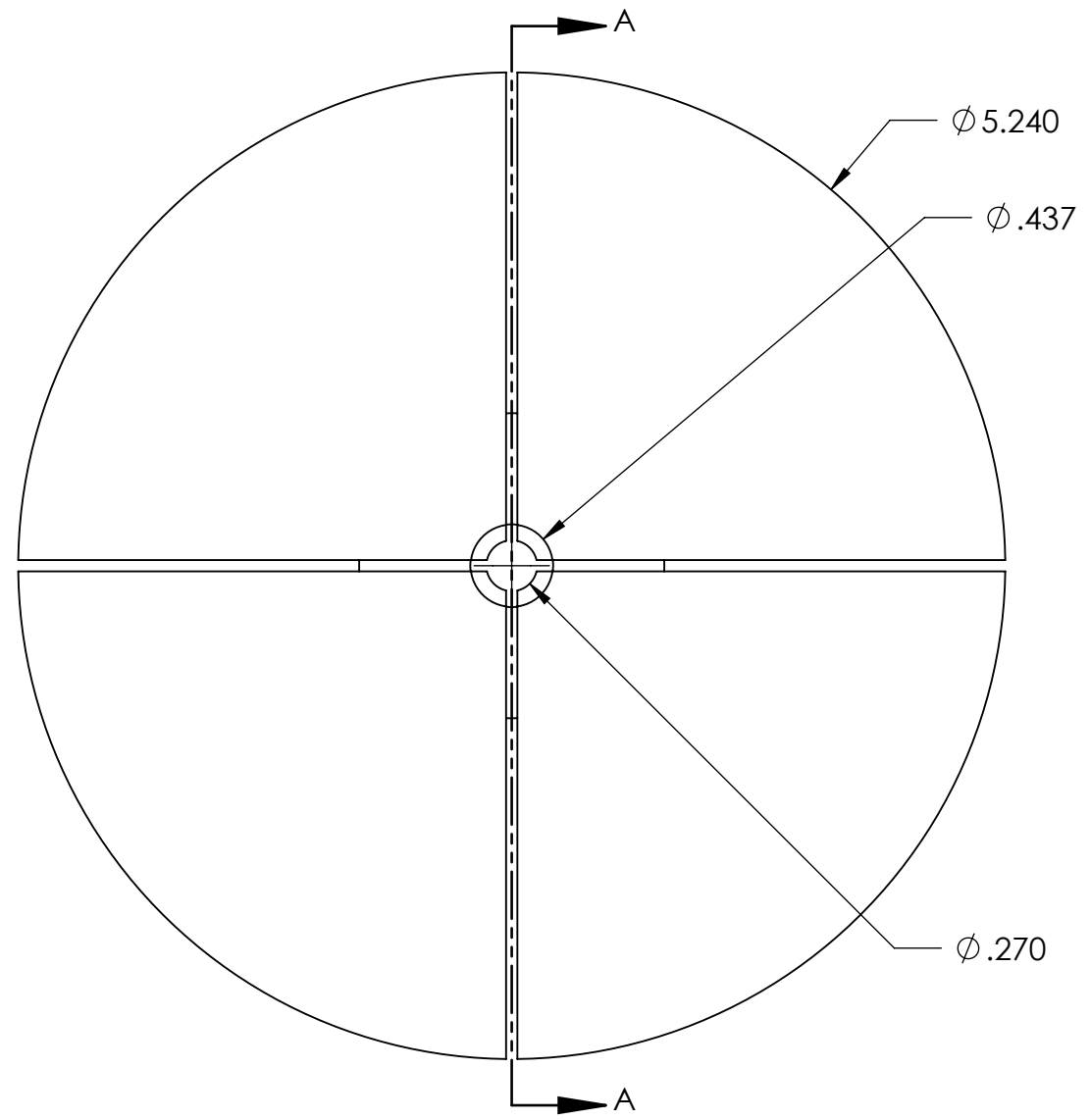
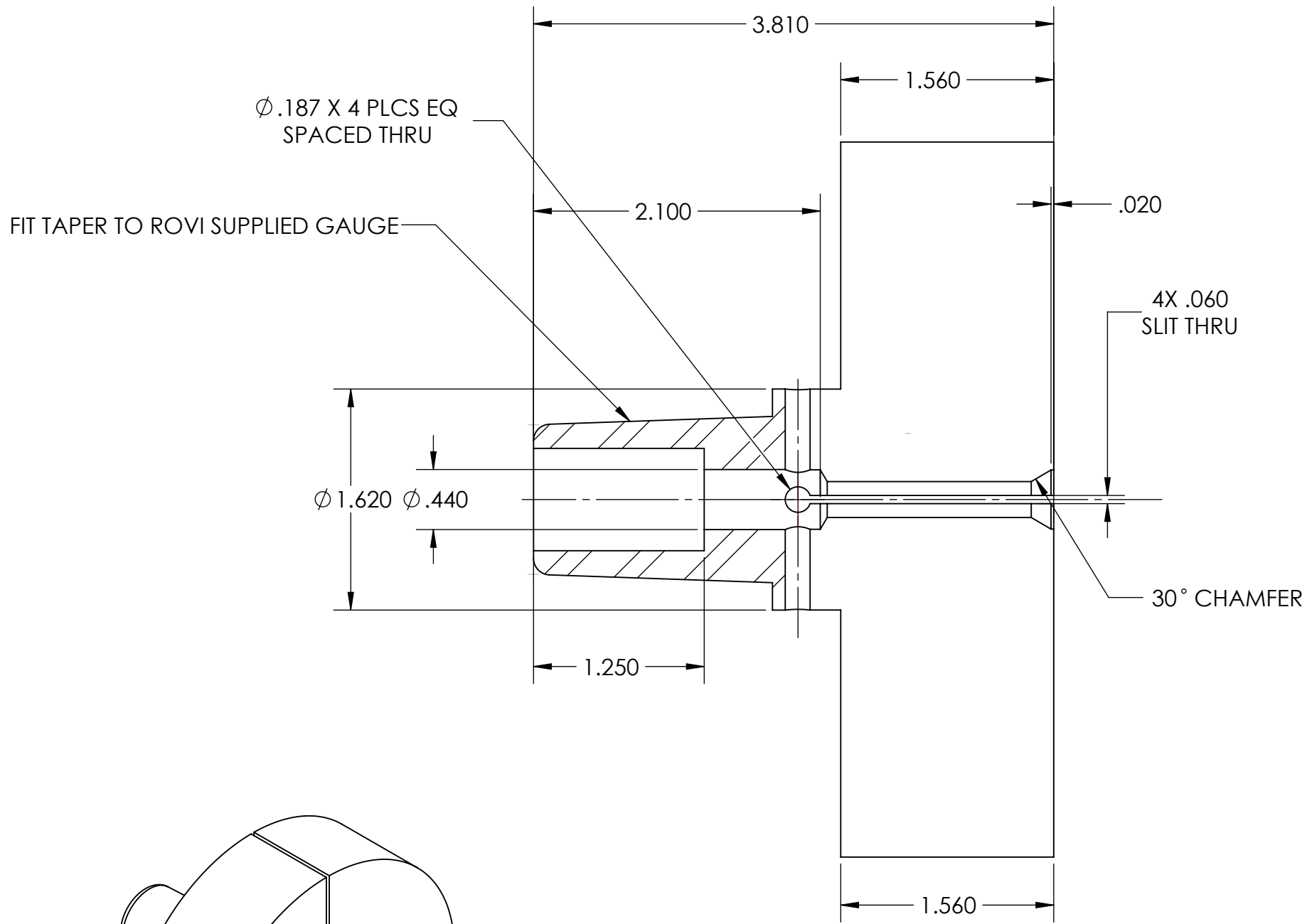
| REV | DESCRIPTION | APPROVED | DATE |
|-----|-------------|----------|------|
| -   |             |          |      |

B

B

A

A



1:2 SCALE

SECTION A-A  
SCALE 1:1

PROPRIETARY AND CONFIDENTIAL  
 THE INFORMATION CONTAINED IN THIS  
 DRAWING IS THE SOLE PROPERTY OF  
 ROVI PRODUCTS INC. ANY  
 REPRODUCTION IN PART OR AS A  
 WHOLE WITHOUT THE WRITTEN  
 PERMISSION OF ROVI PRODUCTS INC  
 IS PROHIBITED.

|   |           |                        |          |
|---|-----------|------------------------|----------|
| UNLESS OTHERWISE SPECIFIED:               |           | NAME                   | DATE     |
| DIMENSIONS ARE IN INCHES                  |           | DRAWN R. PEREZ         | 09/03/22 |
| ANGULAR                                   | ±.5°      | CHECKED                |          |
| TWO PLACE DECIMAL                         | ±.01      | ENG APPR.              |          |
| THREE PLACE DECIMAL                       | ±.003     | MFG APPR.              |          |
| FILLET RADII                              | .015 MAX  | Q.A.                   |          |
| BREAK CORNERS                             | .005/.010 |                        |          |
| ALL Ø CONC WITHIN .005 T.I.R.             |           | THIRD ANGLE PROJECTION |          |
| SURFACE FINISH 125/√                      |           |                        |          |
| INTERPRET DRAWING PER:<br>ASME Y14.5-2009 |           |                        |          |
| DO NOT SCALE DRAWING                      |           |                        |          |

**rovi** PRODUCTS INCORPORATED  
 ROVI PRODUCTS INC  
 4648 RUNWAY ST #B  
 SIMI VALLEY, CA 93063

TITLE:  
 EXPANDING COLLET, KEY  
 DIMENSIONS

|            |                   |              |
|------------|-------------------|--------------|
| SIZE       | DWG. NO.          | REV          |
| <b>B</b>   | 5.25X1.5-4        | ---          |
| SCALE: 1:1 | WEIGHT: 9.847 LBS | SHEET 1 OF 1 |

4

3

2

1