

4

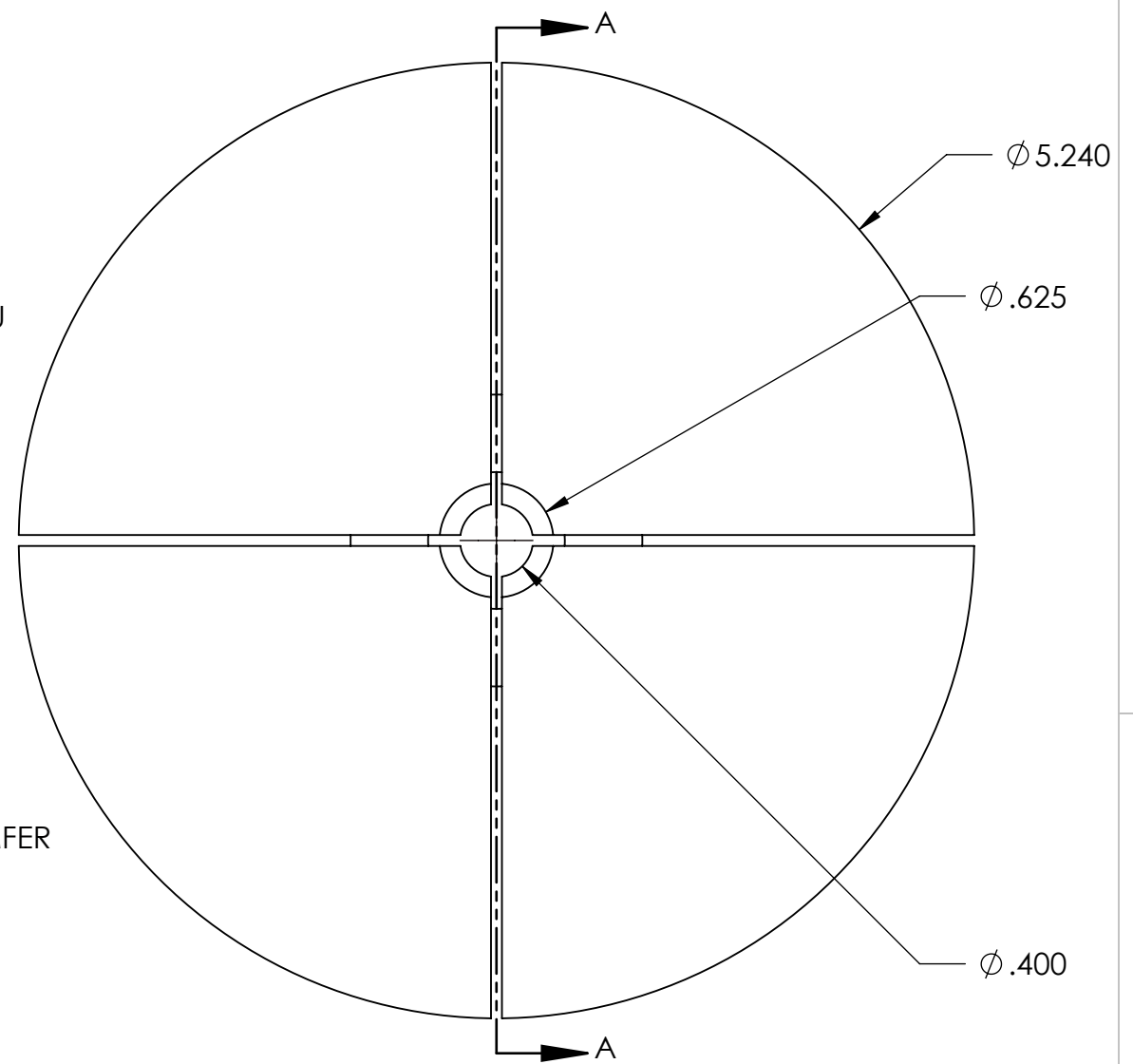
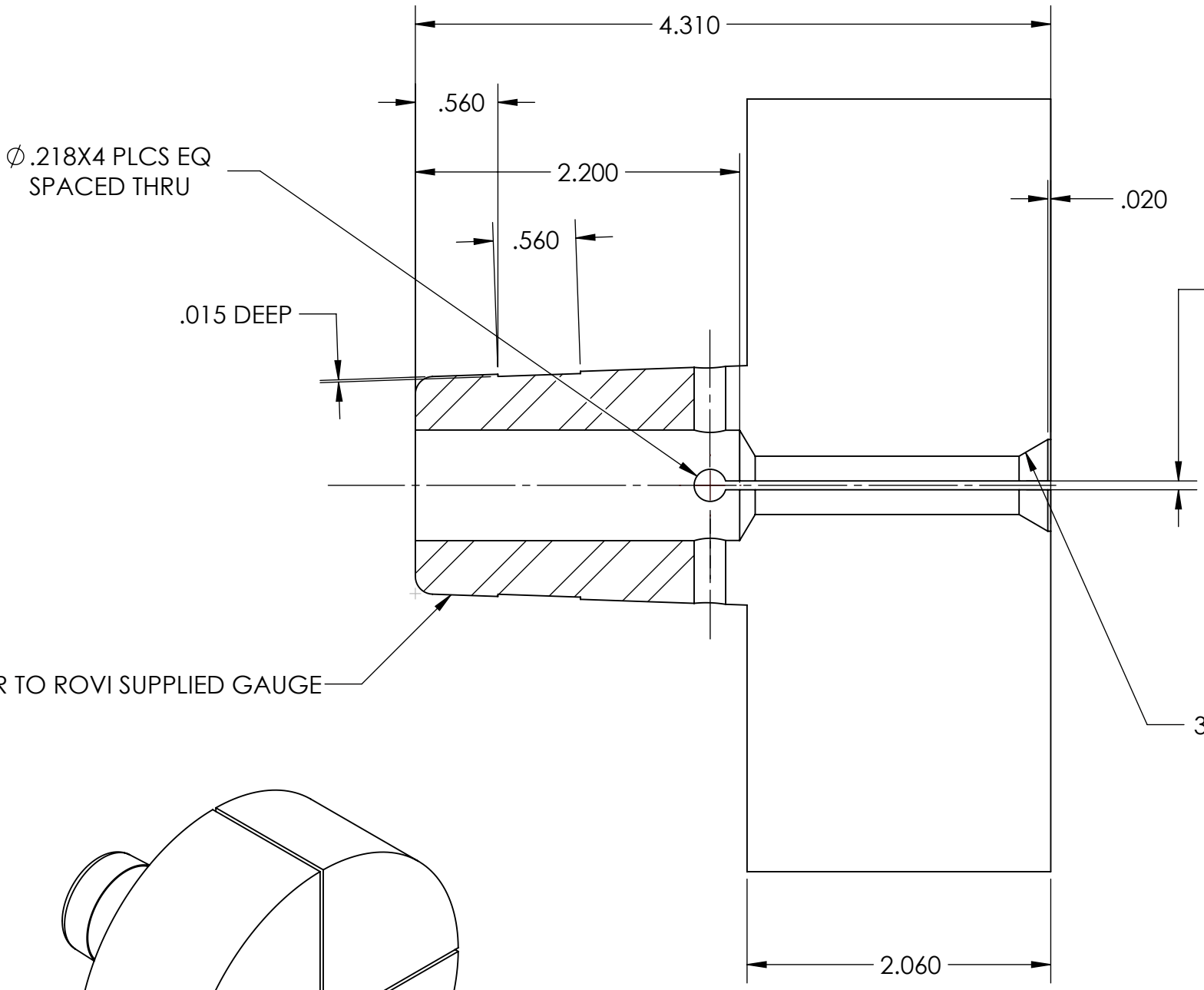
3

2

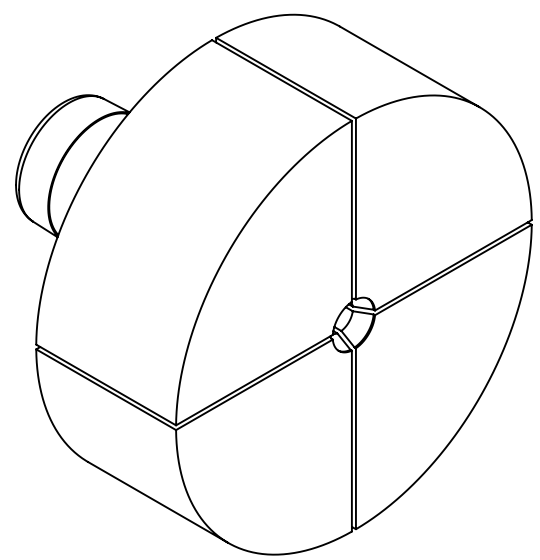
1

REVISION HISTORY

REV	DESCRIPTION	APPROVED	DATE
-			



FIT TAPER TO ROVI SUPPLIED GAUGE



1:2 SCALE

SECTION A-A  
SCALE 1 : 1

PROPRIETARY AND CONFIDENTIAL  
 THE INFORMATION CONTAINED IN THIS  
 DRAWING IS THE SOLE PROPERTY OF  
 ROVI PRODUCTS INC. ANY  
 REPRODUCTION IN PART OR AS A  
 WHOLE WITHOUT THE WRITTEN  
 PERMISSION OF ROVI PRODUCTS INC  
 IS PROHIBITED.

UNLESS OTHERWISE SPECIFIED:		NAME	DATE
DIMENSIONS ARE IN INCHES		DRAWN R. PEREZ	09/03/22
ANGULAR ±.5°	TWO PLACE DECIMAL ±.01	CHECKED	
THREE PLACE DECIMAL ±.003	FILLET RADII .015 MAX	ENG APPR.	
BREAK CORNERS .005/.010	ALL Ø CONC WITHIN .005 T.I.R.	MFG APPR.	
		Q.A.	
SURFACE FINISH 125/√		THIRD ANGLE PROJECTION	
INTERPRET DRAWING PER: ASME Y14.5-2009			
DO NOT SCALE DRAWING			

**rovi** PRODUCTS INCORPORATED  
 ROVI PRODUCTS INC  
 4648 RUNWAY ST #B  
 SIMI VALLEY, CA 93063

TITLE:  
 EXPANDING COLLET, KEY  
 DIMENSIONS

SIZE	DWG. NO.	REV
B	5.25X2-8	---
SCALE: 1:1	WEIGHT: 13.075 LBS	SHEET 1 OF 1

4

3

2

1

B

B

A

A