



Complete 5C **Mini Collet Assembly** (Includes Sleeve, Rod Assembly, and Mini Collet with 1/4" length.

\$192.00

5C Expanding Collets

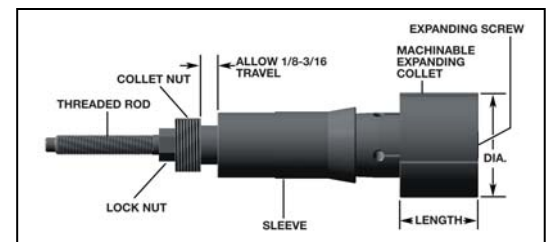
Mini Collets (See page 4 in catalog)		
Part Number	Cost	Notes
MC-40	\$41.00	
MC-40XL	\$49.50	
MC-40XXL	\$67.00	
Mini Master		
MM-2	\$59.50	
Sleeve		
SL2-5C	\$54.00	
Rod Assembly		
RA10-5C	\$37.50	
Replacement Screw		
ES-10	\$4.50	
-26 Collets (See page 4 in catalog)		
Part Number	Cost	Notes
1x1-26	\$32.50	
1x1-26HT	\$49.50	
1x1-1/2-26HT	\$60.00	
Sleeve		
SL2-5C	\$54.00	
Rod Assembly		
RA6-5C	\$37.50	
Replacement Screw		
ES-6	\$4.50	
- 2 Collets (See page 4 in catalog)		
Part Number	Cost	Notes
1x1-2	\$32.50	
1x1-2HT	\$49.50	
1x2-2	\$33.50	
1x3-2	\$44.50	
1-1/4x1-2	\$32.50	
1-1/2x1-2	\$33.00	
2x1-2	\$38.00	
Sleeve		
SL2-5C	\$54.00	
Rod Assembly		
RA10-5C	\$37.50	
Replacement Screws		
ES-10	\$4.50	
ES-10XL	\$5.75	

5C Expanding Collets Continued

- 4 Collets (See page 5 in catalog)		
Part Number	Cost	Notes
1-1/2x1-1/2-4	\$34.75	
1-1/2x2-4	\$37.50	
1-1/2x3-4	\$45.00	
2x1-1/2-4	\$42.00	
2x2-4	\$46.75	
2x3-4	\$55.50	
2x4-4	\$96.50	
2x5-4	\$113.50	
2x6-4	\$130.50	
2-1/2x1-1/2-4	\$49.50	
2-1/2x2-4	\$56.50	
2-1/2x3-4	\$68.00	
2-1/2x4-4	\$106.50	
2-1/2x5-4	\$119.00	
2-1/2x6-4	\$136.00	
3x1-1/2-4	\$56.00	
3x2-4	\$69.00	
3x3-4	\$86.00	
3-1/2x1-1/2-4	\$70.25	
3-1/2x3-4	\$91.25	
4x1-1/2-4	\$86.00	
4x3-4	\$123.00	
4-1/2x1-1/2-4	\$107.50	
5-1/4x1-1/2-4	\$175.00	
6x1-1/2-4	\$215.00	
Sleeve		
SL4-5C	\$54.00	
Rod Assembly		
RA25-5C	\$40.00	
RA25-5CXL	\$48.50	
RA25-5CXXL	\$55.00	
Replacement Screws		
ES-25	\$5.50	
ES-25XL	\$7.50	

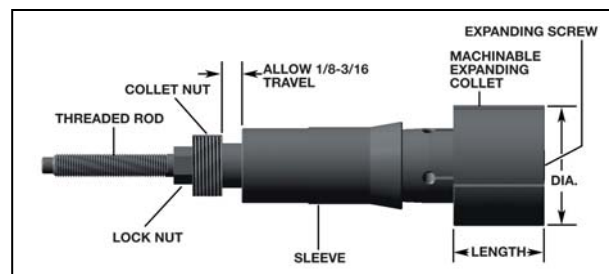
Expanding Collet Accessories

Part Number	Cost
SL2R-5C (Reworking Sleeve)	\$75.00
SL4R-5C (Reworking Sleeve)	\$75.00
Rework Tool (15° Angle)	\$51.50
Collet Separator-5C	\$85.00



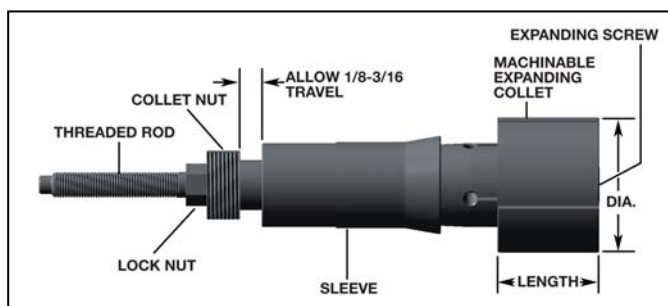
16C Expanding Collets

Mini Collets (See page 6 in catalog)		
Part Number	Cost	Notes
MC-40	\$41.00	
MC-40XL	\$49.50	
MC-40XXL	\$67.00	
Mini Master		
MM-2	\$59.50	
Sleeve		
SL2-16C	\$104.00	
Rod Assembly		
RA10-16C	\$62.50	
Replacement Screw		
ES-10	\$4.50	
- 26 Collets (See page 6 in catalog)		
1x1-26	\$32.50	
1x1-26HT	\$49.50	
1x1-1/2-26HT	\$60.00	
Sleeve		
SL2-16C	\$104.00	
Rod Assembly		
RA6-16C	\$62.50	
Replacement Screw		
ES-6	\$4.50	
-2 Collets (See page 6 in catalog)		
1x1-2	\$32.50	
1x1-2HT	\$49.50	
1x2-2	\$33.50	
1x3-2	\$44.50	
1-1/4x1-2	\$32.50	
1-1/2x1-2	\$33.00	
2x1-2	\$38.00	
Sleeve		
SL2-16C	\$104.00	
Rod Assembly		
RA10-16C	\$62.50	
Replacement Screws		
ES-10	\$4.50	
ES-10XL	\$5.75	



16C Expanding Collets - Continued

- 4 Collets (See page 7 in catalog)		
Part Number	Cost	Notes
1-1/2x1-1/2-4	\$34.75	
1-1/2x2-4	\$37.50	
1-1/2x3-4	\$45.00	
2x1-1/2-4	\$42.00	
2x2-4	\$46.75	
2x3-4	\$55.50	
2x4-4	\$106.50	
2x5-4	\$113.50	
2x6-4	\$130.50	
2-1/2x1-1/2-4	\$49.50	
2-1/2x2-4	\$56.50	
2-1/2x3-4	\$68.00	
2-1/2x4-4	\$106.50	
2-1/2x5-4	\$119.00	
2-1/2x6-4	\$136.00	
3x1-1/2-4	\$56.00	
3x2-4	\$69.00	
3x3-4	\$86.00	
3-1/2x1-1/2-4	\$70.25	
3-1/2x3-4	\$91.25	
4x1-1/2-4	\$86.00	
4x3-4	\$123.00	
4-1/2x1-1/2-4	\$107.50	
5-1/4x1-1/2-4	\$175.00	
6x1-1/2-4	\$215.50	
Sleeve		
SL4-16C	\$104.00	
Rod Assembly		
RA25-16C	\$62.50	
RA25-16CXL	\$66.75	
RA25-16CXXL	\$72.00	
Replacement Screws		
ES-25	\$5.50	
ES-25XL	\$7.50	

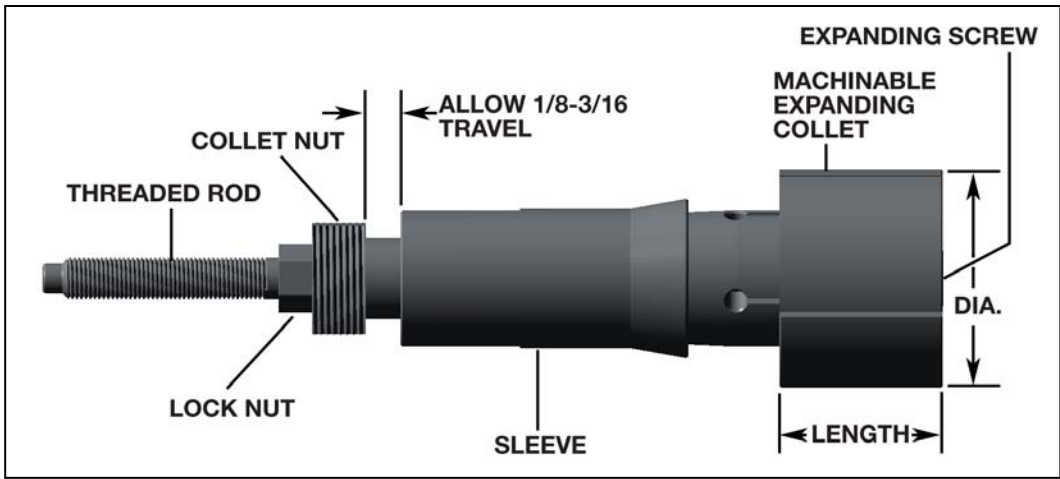


3J Expanding Collets

-26 Collets (See page 8 in catalog)		
Part Number	Cost	Notes
1x1-26	\$32.50	
1x1-26HT	\$49.50	
1x1-1/2-26HT	\$60.00	
Sleeve		
SL2-3J	\$104.00	
Rod Assembly		
RA6-3J	\$62.50	
Replacement Screw		
ES-6	\$4.50	
-2 Collets (See page 8 in catalog)		
1x1-2	\$32.50	
1x1-2HT	\$49.50	
1x2-2	\$33.50	
1x3-2	\$44.50	
1-1/4x1-2	\$32.50	
1-1/2x1-2	\$33.00	
2x1-2	\$38.00	
Sleeve		
SL2-3J	\$104.00	
Rod Assembly		
RA10-3J	\$62.50	
Replacement Screws		
ES-10	\$4.50	
ES-10XL	\$5.75	
- 4 Collets (See page 9 in catalog)		
1-1/2x1-1/2-4	\$34.75	
1-1/2x2-4	\$37.50	
1-1/2x3-4	\$45.00	
2x1-1/2-4	\$42.00	
2x2-4	\$46.75	
2x3-4	\$55.50	
2x4-4	\$96.50	
2x5-4	\$113.50	
2x6-4	\$130.50	
2-1/2x1-1/2-4	\$49.50	
2-1/2x2-4	\$56.50	
2-1/2x3-4	\$68.00	
2-1/2x4-4	\$106.50	
2-1/2x5-4	\$119.00	
2-1/2x6-4	\$136.00	
3x1-1/2-4	\$56.00	
3x2-4	\$69.00	
3x3-4	\$86.00	

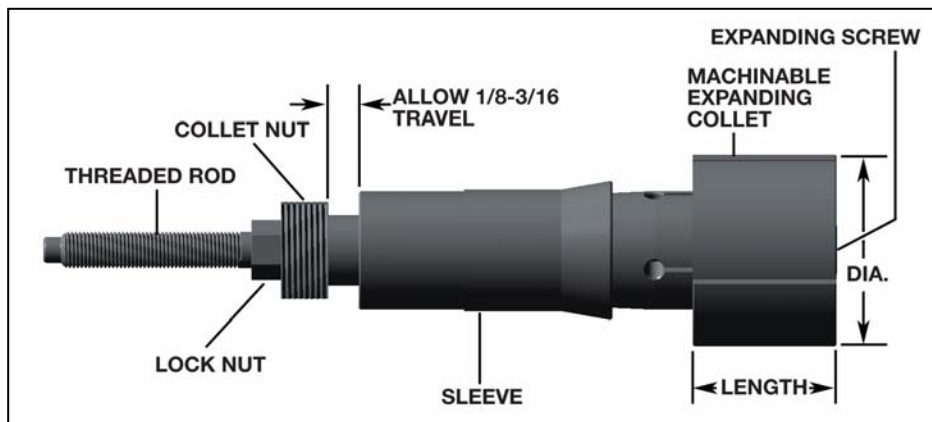
3J Expanding Collets - Continued

- 4 Collets – continued (See page 9 in catalog)		
Part Number	Cost	Notes
3-1/2x1-1/2-4	\$70.25	
3-1/2x3-4	\$91.25	
4x1-1/2-4	\$86.00	
4x3-4	\$123.00	
4-1/2x1-1/2-4	\$107.50	
5-1/4x1-1/2-4	\$175.00	
6x1-1/2-4	\$215.50	
Sleeve		
SL4-3J	\$104.00	
Rod Assembly		
RA25-3J	\$62.50	
RA25-3JXL	\$66.75	
RA25-3JXXL	\$72.00	
Replacement Screws		
ES-25	\$5.50	
ES-25XL	\$7.50	



16C Heavy Duty Expanding Collets

- 8 Collets (See page 10 in catalog)		
Part Number	Cost	Notes
2X2-8	\$66.50	
2X3-8	\$74.00	
2-1/2X2-8	\$76.00	
2-1/2X3-8	\$85.50	
3X2-8	\$84.50	
3X3-8	\$104.50	
3X5-8	\$149.50	
3-1/2X2-8	\$95.00	
3-1/2X3-8	\$112.00	
4X2-8	\$107.50	
4X3-8	\$127.00	
4-1/2X2-8	\$121.50	
4-1/2X3-8	\$147.50	
5-1/4X2-8	\$230.00	
6X2-8	\$250.00	
Sleeve		
SL8-16C	\$104.00	
Rod Assembly		
RA38-16C	\$70.50	
Screws		
ES-38	\$9.75	
ES-38XL	\$14.75	
ES-38XXL	\$20.50	



3J Heavy Duty Expanding Collets

- 8 Collets (See page 10 in catalog)		
Part Number	Cost	Notes
2X2-8	\$66.50	
2X3-8	\$74.00	
2-1/2X2-8	\$76.00	
2-1/2X3-8	\$85.50	
3X2-8	\$84.50	
3X3-8	\$104.50	
3X5-8	\$149.50	
3-1/2X2-8	\$95.00	
3-1/2X3-8	\$112.00	
4X2-8	\$107.50	
4X3-8	\$127.00	
4-1/2X2-8	\$121.50	
4-1/2X3-8	\$147.50	
5-1/4X2-8	\$230.00	
6X2-8	\$250.00	
Sleeves		
SL8-3J	\$104.00	
Rod Assembly		
RA38-3J	\$70.50	
Screws		
ES-38	\$9.75	
ES-38XL	\$14.75	
ES-38XXL	\$20.50	

Expanding Collet Accessories

Collet Separator-16C&3J	\$74.50
-------------------------	---------

